

PARTS LIST

[XV-M565BK/M567GD]

* All printed circuit boards and its assemblies are not available as service parts.

**Area suffix
XV-M565BK**

EG --- Germany , France , Greece ,
Nether lands , Switzerland
EN ----- Northern Europe
ES ----- Span , Italy
UF ----- China
1U ----- U.S Military

**Area suffix
XV-M567GD**

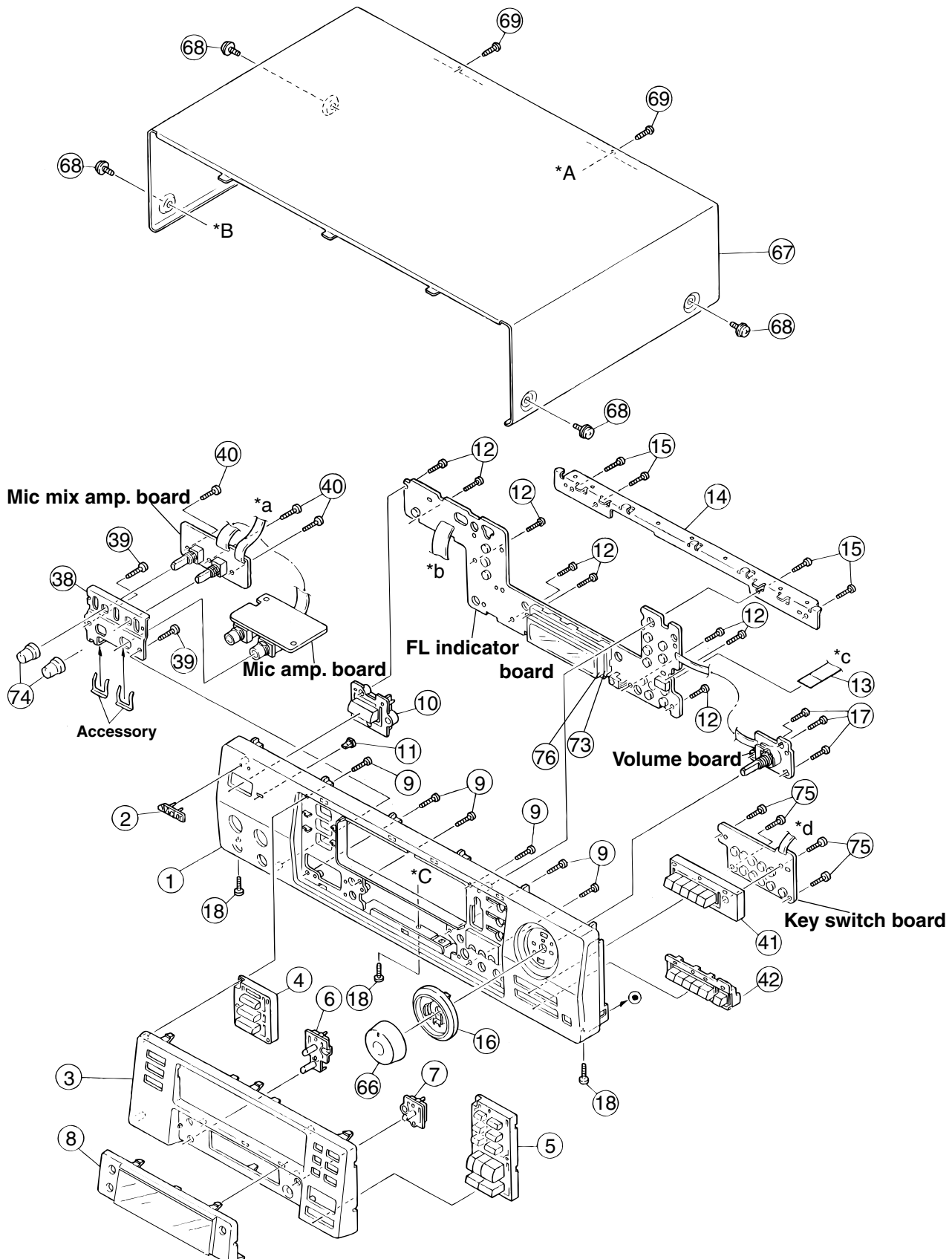
A ----- Australia
B ----- U.K.
EG --- Germany , France , Greece ,
Nether lands , Switzerland
EN ----- Northern Europe
ES ----- Span , Italy
UF ----- China
US ----- Singapore
3U - Malaysia, Thailand, Philippines
4U ----- Brazil , Mexico , Peru

- Contents -

Exploded view of general assembly and parts list	3-2
DVD changer mechanism assembly and parts list	3-8
DVD mechanism assembly and parts list	3-10
Electrical Parts List	3-12
Packing materials and accessories parts list	3-32

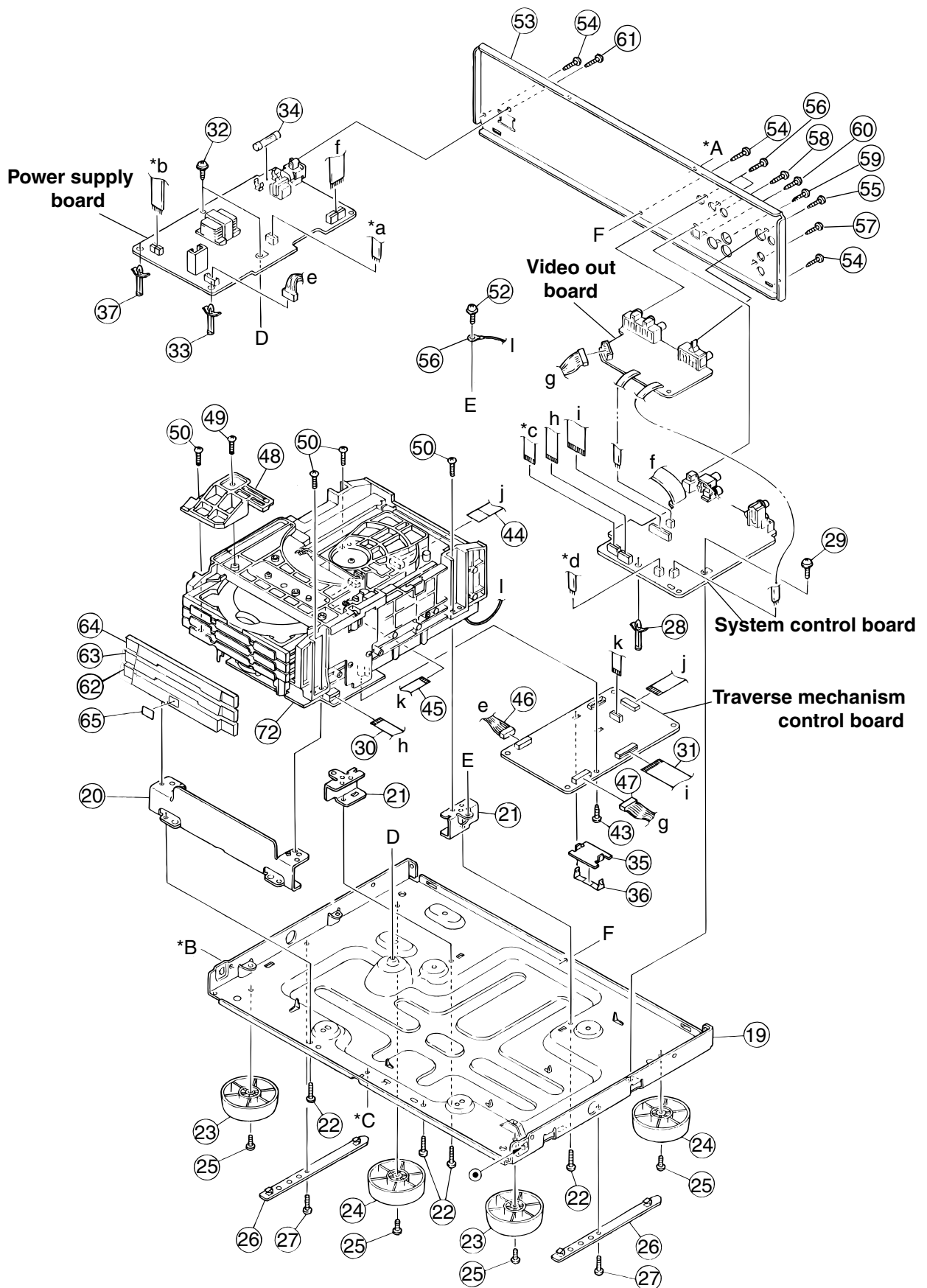
Exploded view of general assembly and parts list (1/2)

Block No. M 1 M M



Exploded view of general assembly and parts list (2/2)

Block No. M 1 M M



■ Parts list (General Assembly 1/2 : XV-M565BK)

Block No. M1MM

△	Item	Parts number	Parts name	Q'ty	Description	Area
	01	LV10244-015A	FRONT PANEL	1		1U
		LV10244-016A	FRONT PANEL	1		EG,EN,ES
		LV10244-017A	FRONT PANEL	1		UF
	02	VJD5429-001SS	JVC MARK	1		
	03	LV10245-001A	CONTROL PANEL	1		
	04	LV31260-001A	PUSH BUTTON	1	ZOOM	1U,EG,EN,ES
		LV31260-002A	PUSH BUTTON	1	KEY CON	UF
	05	LV20815-001A	P. BUTTON ASSY	1	PLAY	
	06	LV30787-001A	PUSH BUTTON	1	THEATER	
	07	LV30788-001A	PUSH BUTTON	1	DIMMER	
	08	LV20817-001A	LENS	1	VIOLET	1U,EG,EN,ES
		LV20817-002A	LENS	1		UF
	09	QYSDSF2608Z	SCREW	6		
	10	LV32063-001A	PUSH BUTTON	1	POWER	1U
		LV32063-002A	PUSH BUTTON	1	POWER	EG,EN,ES,UF
	11	FSJD4001-002	INDICATOR	1		
	12	QYSDSF2608Z	SCREW	8		
	13	QUQ412-0920CM	FFC WIRE	1	CN801 TO CN703	
	14	LV31375-001A	FRONT BRACKET	1		
	15	QYSDSF2608Z	SCREW	4		
	16	LV31163-004A	SHUTTLE RING	1		
	17	QYSDSF2608Z	SCREW	3		
	18	QYSDSG3008M	SCREW	3	F.P-CHASSIS	
	19	E103006-007SM	CD CHASSIS BASE	1		
	20	LV31373-001A	MECHA.BKT(F)	1	FRONT	
	21	LV31374-001A	MECHA BKT(R)	2	REAR	
	22	QYSBST3008Z	T.SCREW	4	MECHA BKT	
	23	QZF6018-001	FOOT	2		
	24	E47227-036	FOOT	2	REAR	1U
		QZF6018-001	FOOT	2	REAR	EG,EN,ES,UF
	25	QYSBST3008Z	T.SCREW	4	FOOT	
	26	LV31244-002A	SPACER	2		
	27	QYSDSG3008M	SCREW	2		
	28	E310244-002	FASTENER	1	AUDIO CB	
	29	QYSBSGG3008E	T.SCREW	1	AUDIO CB	
	30	QUQ412-1020CM	FFC WIRE	1	CN702 TO C5	
	31	QUQ110-2318AM	FFC WIRE	1	CN701 TO C5	
	32	QYSBSGG3008E	T.SCREW	2		
	33	E310244-002	FASTENER	1		
	34	QMF51E2-1R6-J1	FUSE	1	F901	
	35	LV41362-001A	HEAT SINK	1		
	36	LV41363-002A	HOLDER	1		
	37	E310244-003	FASTNER	1		
	38	LV31358-001A	MIC BRACKET	1		UF
	39	QYSDSF2608Z	SCREW	2		UF
	40	QYSDSF2608Z	SCREW	3		UF
	41	LV20475-001A	PUSH BUTTN	1	10KEY 1	UF
	42	LV20478-001A	PUSH BUTTON	1	10KEY 2	UF

■ Parts list (General Assembly 2/2 : XV-M565BK)

Block No. M1MM

△	Item	Parts number	Parts name	Q'ty	Description	Area
	43	QYSBSF3008Z	SCREW	1	MODULE CB	
	44	QUQ110-1910AJ	FFC WIRE	1	FW101	
	45	QUQ110-1110AJ	FFC WIRE	1	FW102	
	46	QJJ015-091204	SIN CR C-C WIRE	1	TO CN961	
	47	QUQ110-0923AM	CARD WIRE	1	TO CN601	
	48	E309662-001SM	DISC STOPPER	1		
	49	QYSBSF3008Z	SCREW	1		
	50	QYSBST3008Z	T.SCREW	4	C3 MECHA	
	52	QYSBSGG3008E	T.SCREW	1	SHIELD CASE	
	53	LV20821-015A	REAR PANEL	1		1U
		LV20821-016A	REAR PANEL	1		EG,EN,ES
		LV20821-019A	REAR PANEL	1		UF
	54	QYSBSGY3008E	SPECIAL SCREW	3	REAR PANEL	
	55	QYSBSGY3008E	SPECIAL SCREW	1	VIDEO OUT	
	56	QYSBSGY3008E	SPECIAL SCREW	2	AV OUT	
	57	QYSBSGY3008E	SPECIAL SCREW	1	COMPU.LINK	
	58	QYSBSGY3008E	SPECIAL SCREW	1	COAXIAL	
	59	QYSBSGY3008E	SPECIAL SCREW	1	AUDIO OUT	
	60	QYSBSGY3008E	SPECIAL SCREW	1	OPTICAL OUT	
	61	QYSBSGY3008E	SPECIAL SCREW	1	AC OUTLET	
	62	LV20818-001A	FITTING(DISC1)	1	LOWER	1U,EG,EN,ES
		LV20818-002A	FITTING(DISC1)	1	LOWER	UF
	63	LV20819-001A	FITTING(DISC2)	1	CENTER	
	64	LV20820-001A	FITTING(DISC3)	1	UPPER	
	65	LE40564-002A	MARK	1		
	66	LE30714-001A	KNOB	1	SHUTTLE	
	67	LV20009-311A	METAL COVER	1		
	68	E406308-003	SPECIAL SCREW	4	M.COVER SIDE	
	69	QYSBSGY3008E	SPECIAL SCREW	2	M.COVER REAR	
	72	-----	DVD 3CHANGER LO	1	BDL1081-M001YP	
	73	E306805-134	SPACER	1		
	74	LV30734-002A	KNOB	2	MIC	UF
	75	QYSDSF2608Z	SCREW	4		UF
	76	E308192-001	FL HOLDER	1	BK801	

■ Parts list (General Assembly 1/2 :XV-M567GD)

Block No. M1MM

△	Item	Parts number	Parts name	Q'ty	Description	Area
	01	LV10244-020A	FRONT PANEL	1		3U,4U,UF,US
		LV10244-021A	FRONT PANEL	1		A
		LV10244-019A	FRONT PANEL	1		B,EG,EN,ES
	02	VJD5429-001SS	JVC MARK	1		
	03	LV10245-003A	CONTROL PANEL	1		
	04	LV31260-002A	PUSH BUTTON	1	KEY CON	3U,4U,UF,US
		LV31260-003A	PUSH BUTTON	1	ZOOM	A,B,EG,EN,ES
	05	LV20815-002A	P. BUTTON ASSY	1	PLAY	
	06	LV30787-001A	PUSH BUTTON	1		
	07	LV30788-001A	PUSH BUTTON	1	KARAOKE	
	08	LV20817-004A	LENS	1		3U,4U,UF,US
		LV20817-005A	LENS	1		A
		LV20817-003A	LENS	1		B,EG,EN,ES
	09	QYSDSF2608Z	SCREW	6		
	10	LV32063-004A	PUSH BUTTON	1	POWER	
	11	FSJD4001-002	INDICATOR	1		
	12	QYSDSF2608Z	SCREW	8		
	13	QUQ412-0920CM	FFC WIRE	1	CN801 TO CN703	
	14	LV31375-001A	FRONT BRACKET	1		
	15	QYSDSF2608Z	SCREW	4		
	16	LV31163-005A	SHUTTLE RING	1		
	17	QYSDSF2608Z	SCREW	3		
	18	QYSDSG3008N	T.SCREW	3	F.P-CHASSIS	
	19	E103006-007SM	CD CHASSIS BASE	1		
	20	LV31373-001A	MECHA.BKT(F)	1	FRONT	
	21	LV31374-001A	MECHA BKT(R)	2	REAR	
	22	QYSBST3008Z	T.SCREW	4	MECHA BKT	
	23	QZF6018-001	FOOT	2		
	24	QZF6018-001	FOOT	2	REAR	
	25	QYSBST3008Z	T.SCREW	4	FOOT	
	26	LV31244-002A	SPACER	2		
	27	QYSDSG3008M	SCREW	2		
	28	E310244-002	FASTENER	1	AUDIO CB	
	29	QYSBSGG3008E	T.SCREW	1	AUDIO CB	
	30	QUQ412-1020CM	FFC WIRE	1		
	31	QUQ110-2318AM	FFC WIRE	1		
	32	QYSBSGG3008E	T.SCREW	2		
	33	E310244-002	FASTENER	1		
	34	QMF51E2-1R6-J1	FUSE	1	F901	
	35	LV41362-001A	HEAT SINK	1		
	36	LV41363-002A	HOLDER	1		
	37	E310244-003	FASTNER	1		
	38	LV31358-001A	MIC BRACKET	1		3U,4U,UF,US
	39	QYSDSF2608Z	SCREW	2		3U,4U,UF,US
	40	QYSDSF2608Z	SCREW	3		3U,4U,UF,US
	41	LV20475-003A	PUSH BUTTON	1	10KEY 1	3U,4U,UF,US
	42	LV20478-003A	PUSH BUTTON	1	10KEY 2	3U,4U,UF,US
	43	QYSBSF3008Z	SCREW	1	MODULE CB	

■ Parts list (General Assembly 2/2 : XV-M567GD)

Block No. M1MM

△	Item	Parts number	Parts name	Q'ty	Description	Area
	44	QUQ110-1910AJ	FFC WIRE	1	FW101	
	45	QUQ110-1110AJ	FFC WIRE	1	FW102	
	46	QJJ015-091204	SIN CR C-C WIRE	1	TO CN961	
	47	QUQ110-0923AM	CARD WIRE	1		
	48	E309662-001SM	DISC STOPPER	1		
	49	QYSBSF3008Z	SCREW	1		
	50	QYSBST3008Z	T.SCREW	4	C3 MECHA	
	52	QYSBSGG3008E	T.SCREW	1		
	53	LV20821-023A	REAR PANEL	1		3U,US
		LV20821-024A	REAR PANEL	1		4U
		LV20821-018A	REAR PANEL	1		A
		LV20821-021A	REAR PANEL	1		B,EG,EN,ES
		LV20821-026A	REAR PANEL	1		UF
	54	QYSBSGY3008E	SPECIAL SCREW	3	REAR PANEL	
	55	QYSBSGY3008E	SPECIAL SCREW	1	VIDEO OUT	
	56	QYSBSGY3008E	SPECIAL SCREW	2	AV OUT	
	57	QYSBSGY3008E	SPECIAL SCREW	1	COMPU.LINK	
	58	QYSBSGY3008E	SPECIAL SCREW	1	COAXIAL	
	59	QYSBSGY3008E	SPECIAL SCREW	1		
	60	QYSBSGY3008E	SPECIAL SCREW	1		
	61	QYSBSGY3008E	SPECIAL SCREW	1		
	62	LV20818-004A	FITTING(DISC1)	1	LOWER	3U,4U,UF,US
		LV20818-003A	FITTING(DISC1)	1	LOWER	A,B,EG,EN,ES
	63	LV20819-002A	FITTING(DISC2)	1	CENTER	
	64	LV20820-002A	FITTING(DISC3)	1	UPPER	
	65	LE40564-002A	MARK	1		
	66	LE30714-005A	KNOB	1		
	67	LV20009-310A	METAL COVER	1		
	68	E406308-004	SPECIAL SCREW	4	M.COVER SIDE	
	69	QYSBSGY3008E	SPECIAL SCREW	2	M.COVER REAR	
	72	-----	DVD 3CHANGER LO	1	BDL1081-M001YP	
	73	E306805-134	SPACER	1		
	74	LV30734-004A	KNOB	2	MIC	3U,4U,UF,US
	75	QYSDSF2608Z	SCREW	4		3U,4U,UF,US
	76	E308192-001	FL HOLDER	1	BK801	

Parts list (DVD changer mechanism)

Block No. M2MM

△	Item	Parts number	Parts name	Q'ty	Description	Area
	1	VKS1144-003	CHASSIS	1		
	2	VKS3698-003	TRAY GUIDE	2		
	3	VKS5532-003	PULLEY GEAR	2		
	4	VKB3000-164	BELT	2		
	5	VKS5505-003	GEAR B	2		
	6	VKS5506-002	GEAR C	3		
	7	VKS5507-002	CROSS GEAR U	1		
	8	VKS5508-002	CROSS GEAR L	1		
	9	VKS5510-003	SELECT LEVER	1		
	10	VKH5769-001	S.G.SHAFT	1		
	11	VKS5511-002	SELECT GEAR	1		
	12	VKW5155-003	COMP.SPRING	1	FOR SELECT GEAR	
	13	VKM3846-002	GEAR BRACKET	1		
	14	VKS5509-002MM	CYLINDER GEAR	1		
	15	MSN-5D257A-SA2	D.C.MOTOR	2		
	16	QYSPSPD2616Z	SCREW	2	FOR MOTOR	
	17	LV40612-001A	COMP.SPRING	1		
	18	VKM3825-00AMM	C.G.BASE ASS'Y	1		
	19	VKZ3172-00ASS	CAM SW. R ASS'Y	1		
	20	VKZ3173-00ASS	CAM SW. L ASS'Y	1		
	21	QYSPST2606Z	SCREW	4	FOR CAM SW.	
	22	VKS2263-002MM	CAM R1	1		
	23	VKS2264-002MM	CAM R2	1		
	24	VKS2265-002MM	CAM GEAR L	1		
	25	WDL316050MM	SLIT WASHER	2		
	27	QYSBSF2608Z	T.SCREW	16	FOR C.GEAR BASE	
	28	VKS3702-00FMM	DRIVE UNIT	1		
	29	LV20466-001A	MECHA HOLDER A	1		
	30	VKL7767-00C	BRACKET ASSY	1		
	31	QYSBSF2606Z	SCREW	2	FOR BRACKET	
	32	VKM3860-00B	MCHA HOLDER ASS	1		
	33	VKL7802-00C	M.HOLDER C ASS'Y	1		
	34	QYSDST2604Z	SCREW	3	FOR M.HOLDER C	
	35	VKL7810-00A	LIFTER ASS'Y R	1		
	36	VKL7811-00A	LIFTER ASS'Y L	1		
	37	VKL7812-00A	LIFTER ASS'Y H	1		
	38	VKL2732-002	LIFTER BASE	1		
	39	VKM3857-001	LIFTER BRACKET	1		
	41	WDL266035-2	SLIT WASHER	1		
	43	VKS5514-002MM	LOCK LEVER	3		
	44	VKY3133-002MM	RETURN SPRING	1		
	46	VKY3134-003MM	CLICK SPRING	1		
	47	VKS2252-00F	TRAY ASS'Y	3		
	48	VKS2250-003	TOP BRACKET	1		
	49	VKS5515-002	S.TRAY STOPPER	1		
	50	VKW5156-004	TORSION SPRING	1		
	51	VKS3703-00J	CLAMPER ASS'Y	1		
	62	LV41120-001A	INSULATOR	2		
	63	LV41120-002A	INSULATOR	2		
	65	-----	DVD MECHA	1		
	69	QGB2012J1-10	CONNECTOR	1		
	71	VKW5187-001	ROD	1		
	72	LV41119-001A	SPECIAL SCREW	2		
	75	LV41568-002A	SHEET	6		
	76	LV41571-001A	SPACER	1		

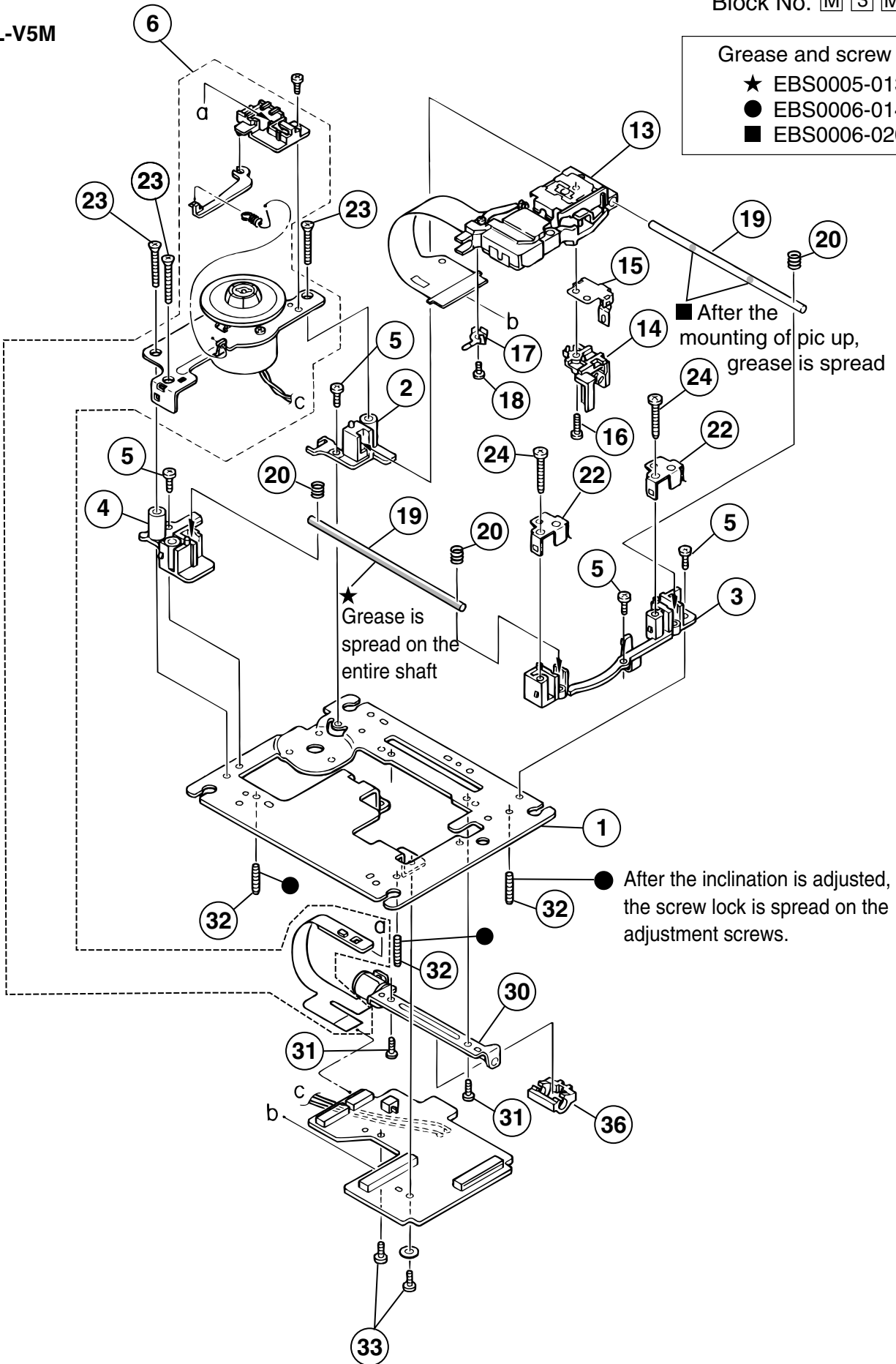
DVD mechanism assembly and parts list

FXL-V5M

Block No. M 3 M M

Grease and screw lock

- ★ EBS0005-013B
- EBS0006-014B
- EBS0006-020B



Parts list (DVD mechanism)
Block No. M3MM

△	Item	Parts number	Parts name	Q'ty	Description	Area
	1	LV20463-001A	MECHA BASE	1		
	2	LV31286-001A	SHAFT HOLDER 1	1		
	3	LV31287-001A	SHAFT HOLDER 2	1		
	4	LV31288-001A	SHAFT HOLDER 3	1		
	5	QYSBST2005Z	T.SCREW	4	SHAFT HOLDER	
	6	VDG1081-001TT5	SP.MOTOR BKT AS	1	ASS'Y	
△	13	QAL0186-001	DVD PICK UP	1		
	14	LV31285-002A	RACK BASE	1	FOR DVD PICK	
	15	LV41109-001A	R.BASE SPRING	1	FOR RACK BASE	
	16	QYSPSPU1740M	SCREW	1	FOR RACK BASE	
	17	LV31359-001A	P.U. SPRING	1	FOR DVD PICK	
	18	LV41021-001A	SPECIAL SCREW	1	FOR P.U.SPRING	
	19	LV41121-001A	SHAFT	2		
	20	LV41115-002A	SPRING	3	FOR TILT	
	22	LV31283-002A	S.HOLDER BKT	2	FOR S.HOLDER2	
	23	QYSSST2615Z	TAP SCREW	3	MOTOR BKT	
	24	QYSDST2616Z	SCREW	2	S.H.BKT*2	
	25	LV41111-002A	FPC HOLDER	1		
	30	QAR0106-001	FEED MOTOR	1		
	31	VKZ4539-026	MINI SCREW	2	FOR F.MOTOR	
	32	QYYASPF2610N	SCREW	3	FOR TILT	
	33	QYSBST2005Z	T.SCREW	2	FOR PW.BORD	
	36	LV41479-002A	RACK COVER	1		

Electrical parts list

■ Electrical parts list (Main board : XV-M565BK)

Block No. 01

Item	Parts number	Parts name	Remarks	Area
C 601	QCS11HJ-181	C CAPACITOR	180PF 5% 50V	1U,UF
C 601	QCS31HJ-391Z	C CAPACITOR	390PF 5% 50V	EG,EN,ES
C 603	QCS11HJ-680	C CAPACITOR	68PF 5% 50V	1U,UF
C 604	QCS11HJ-150	C CAPACITOR	15PF 5% 50V	1U,UF
C 609	QETN0JM-477Z	E CAPACITOR	470MF 20% 6.3V	1U,UF
C 611	QCS11HJ-181	C CAPACITOR	180PF 5% 50V	1U,UF
C 611	QCS31HJ-391Z	C CAPACITOR	390PF 5% 50V	EG,EN,ES
C 613	QCS11HJ-680	C CAPACITOR	68PF 5% 50V	1U,UF
C 614	QCS11HJ-150	C CAPACITOR	15PF 5% 50V	1U,UF
C 619	QETN0JM-477Z	E CAPACITOR	470MF 20% 6.3V	1U,UF
C 621	QCS11HJ-121	C CAPACITOR	120PF 5% 50V	
C 623	QCS11HJ-470	C CAPACITOR	47PF 5% 50V	
C 624	QCS11HJ-100	C CAPACITOR	10PF 5% 50V	
C 629	QETN0JM-477Z	E CAPACITOR	470MF 20% 6.3V	
C 631	QCS11HJ-121	C CAPACITOR	120PF 5% 50V	
C 633	QCS11HJ-470	C CAPACITOR	47PF 5% 50V	
C 634	QCS11HJ-100	C CAPACITOR	10PF 5% 50V	
C 639	NCB21EK-104X	C CAPACITOR		
C 641	QCS11HJ-121	C CAPACITOR	120PF 5% 50V	
C 643	QCS11HJ-470	C CAPACITOR	47PF 5% 50V	
C 644	QCS11HJ-100	C CAPACITOR	10PF 5% 50V	
C 649	QETN0JM-477Z	E CAPACITOR	470MF 20% 6.3V	
C 659	QETN0JM-477Z	E CAPACITOR	470MF 20% 6.3V	1U,UF
C 685	NCS21HJ-471X	C CAPACITOR		EG,EN,ES
C 686	NCS21HJ-471X	C CAPACITOR		EG,EN,ES
C 694	QETN0JM-477Z	E CAPACITOR	470MF 20% 6.3V	EG,EN,ES
C 695	NCB21EK-104X	C CAPACITOR		EG,EN,ES
C 701	QETN1HM-105Z	E CAPACITOR	1.0MF 20% 50V	
C 702	NCB21EK-104X	C CAPACITOR		
C 703	QETN1CM-226Z	E CAPACITOR	22MF 20% 16V	
C 704	NCB21EK-104X	C CAPACITOR		
C 705	NCB21EK-104X	C CAPACITOR		
C 706	QFVF1HJ-104Z	MF CAPACITOR	.10MF 5% 50V	
C 707	QETN0JM-107Z	E CAPACITOR	100MF 20% 6.3V	
C 709	NCS21HJ-331X	C CAPACITOR		
C 710	QETN1AM-477Z	E CAPACITOR	470MF 20% 10V	
C 711	QCZ0205-155Z	ML C CAPACITOR	1.5MF	
C 712	QETN0JM-477Z	E CAPACITOR	470MF 20% 6.3V	
C 713	QCS11HJ-471	C CAPACITOR	470PF 5% 50V	
C 714	QETN0JM-477Z	E CAPACITOR	470MF 20% 6.3V	
C 715	QCZ0205-155Z	ML C CAPACITOR	1.5MF	
C 716	QETN0JM-477Z	E CAPACITOR	470MF 20% 6.3V	
C 717	QCZ0205-155Z	ML C CAPACITOR	1.5MF	
C 718	QETN0JM-477Z	E CAPACITOR	470MF 20% 6.3V	
C 719	NCS21HJ-101X	C CAPACITOR		UF
C 720	NCB21EK-104X	C CAPACITOR		
C 721	QCZ0205-155Z	ML C CAPACITOR	1.5MF	
C 722	QCF11HZ-473	C CAPACITOR	.047MF +80:-20%	
C 724	QCF11HZ-103	C CAPACITOR	.010MF +80:-20%	
C 725	QETN1CM-477Z	E CAPACITOR	470MF 20% 16V	
C 726	QETN1CM-227Z	E CAPACITOR	220MF 20% 16V	
C 727	QETN1AM-227Z	E CAPACITOR	220MF 20% 10V	
C 728	QETN1AM-107Z	E CAPACITOR	100MF 20% 10V	
C 730	QFVJ1HJ-474Z	MF CAPACITOR	.47MF 5% 50V	
C 731	QDYB1CM-103Y	C.CAPACITOR		
C 732	QDGB1HK-102Y	C CAPACITOR		
C 733	QDGB1HK-102Y	C CAPACITOR		
C 734	QDX31EM-473Z	C.CAPACITOR		
C 735	NCB21EK-104X	C CAPACITOR		
C 736	NCB21EK-104X	C CAPACITOR		
C 737	QETN1EM-476Z	E CAPACITOR	47MF 20% 25V	EG,EN,ES
C 738	QETN1EM-476Z	E CAPACITOR	47MF 20% 25V	EG,EN,ES
C 739	QFN31HJ-472Z	M CAPACITOR	4700PF 5% 50V	UF
C 740	QFLC1HJ-152Z	M CAPACITOR	1500PF 5% 50V	

Item	Parts number	Parts name	Remarks	Area
C 741	QFLC1HJ-181Z	M.CAPACITOR	180PF 5% 50V	
C 742	QFN31HJ-333Z	M.CAPACITOR	.033MF 5% 50V	
C 743	QFLC1HJ-152Z	M CAPACITOR	1500PF 5% 50V	
C 744	QFLC1HJ-182Z	M CAPACITOR	1800PF 5% 50V	
C 745	QFN31HJ-103Z	M CAPACITOR	.010MF 5% 50V	
C 746	QETN1EM-476Z	E CAPACITOR	47MF 20% 25V	
C 747	QFLC1HJ-152Z	M CAPACITOR	1500PF 5% 50V	1U,EG,EN,ES
C 747	QFLC1HJ-471Z	M.CAPACITOR	470PF 5% 50V	UF
C 749	QFN31HJ-472Z	M CAPACITOR	4700PF 5% 50V	UF
C 750	QFLC1HJ-152Z	M CAPACITOR	1500PF 5% 50V	
C 751	QFLC1HJ-181Z	M.CAPACITOR	180PF 5% 50V	
C 752	QFN31HJ-333Z	M.CAPACITOR	.033MF 5% 50V	
C 753	QFLC1HJ-152Z	M CAPACITOR	1500PF 5% 50V	
C 754	QFLC1HJ-182Z	M CAPACITOR	1800PF 5% 50V	
C 755	QFN31HJ-103Z	M CAPACITOR	.010MF 5% 50V	
C 756	QETN1EM-476Z	E CAPACITOR	47MF 20% 25V	
C 757	QFLC1HJ-152Z	M CAPACITOR	1500PF 5% 50V	1U,EG,EN,ES
C 757	QFLC1HJ-471Z	M.CAPACITOR	470PF 5% 50V	UF
C 761	QETN1CM-107Z	E CAPACITOR	100MF 20% 16V	
C 762	QETN1CM-107Z	E CAPACITOR	100MF 20% 16V	
C 771	QETN1CM-107Z	E CAPACITOR	100MF 20% 16V	
C 772	QETN1CM-107Z	E CAPACITOR	100MF 20% 16V	
C 797	NCB21HK-103X	C CAPACITOR		
C 799	NCB21HK-103X	C CAPACITOR		UF
C 801	NCB21EK-104X	C CAPACITOR		
C 802	QEK1AM-476Z	E.CAPACITOR	47MF 20% 10V	
C 811	NCB21EK-104X	C CAPACITOR		
C 812	QEK0JM-476Z	E.CAPACITOR	47MF 20% 6.3V	
C 813	NCB21EK-104X	C CAPACITOR		
C 814	NCS21HJ-220X	C CAPACITOR		
C 821	QEK1HM-475Z	E.CAPACITOR	4.7MF 20% 50V	
C 902	QFZ9067-683	C CAPACITOR	.068MF	
C 906	QCZ9079-102	C CAPACITOR	1000PF	
C 907	QEZ0445-127	E.CAPACITOR	120MF	1U,UF
C 907	QEZ0374-826	E.CAPACITOR	82MF	EG,EN,ES
C 908	QCZ0136-332Z	C CAPACITOR	3300PF	
C 909	QCZ0136-101Z	C CAPACITOR	100PF	
C 910	QCS11HJ-221	C CAPACITOR	220PF 5% 50V	
C 913	QCZ0136-101Z	C CAPACITOR	100PF	
C 914	QEMX1EM-396Z	E CAPACITOR	39MF 20% 25V	
C 915	QCBB1HK-471Y	C CAPACITOR	470PF 10% 50V	
C 916	QCZ9079-332	C CAPACITOR	3300PF	
C 917	QCZ0205-155Z	ML C CAPACITOR	1.5MF	
C 918	QCFB1HZ-104Y	C CAPACITOR	.10MF +80:-20%	
C 931	QCZ0205-155Z	ML C CAPACITOR	1.5MF	
C 932	QCS11HJ-101	C CAPACITOR	100PF 5% 50V	UF
C 951	QCS11HJ-101	C CAPACITOR	100PF 5% 50V	
C 952	QCS11HJ-101	C CAPACITOR	100PF 5% 50V	
C 953	QCS11HJ-101	C CAPACITOR	100PF 5% 50V	
C 954	QCS11HJ-101	C CAPACITOR	100PF 5% 50V	
C 956	QCS11HJ-101	C CAPACITOR	100PF 5% 50V	
C 957	QCS11HJ-101	C CAPACITOR	100PF 5% 50V	
C 960	QEMX1AM-826Z	E CAPACITOR	82MF 20% 10V	
C 961	QCZ0205-155Z	ML C CAPACITOR	1.5MF	
C 962	QETN1HM-226Z	E CAPACITOR	22MF 20% 50V	
C 963	QEMX1HM-396Z	E CAPACITOR	39MF 20% 50V	
C 964	QETN1HM-226Z	E CAPACITOR	22MF 20% 50V	
C 965	QEMV1AM-108	E CAPACITOR	1000MF 20% 10V	1U,EG,EN,ES
C 965	QEMW1AM-108	E CAPACITOR	1000MF 20% 10V	UF
C 966	QETN1AM-477Z	E CAPACITOR	470MF 20% 10V	
C 967	QFVJ1HJ-104Z	MF CAPACITOR	.10MF 5% 50V	
C 968	QFVJ1HJ-104Z	MF CAPACITOR	.10MF 5% 50V	
C 969	QETN1AM-227Z	E CAPACITOR	220MF 20% 10V	
C 970	QFVJ1HJ-104Z	MF CAPACITOR	.10MF 5% 50V	

■ Electrical parts list (Main board : XV-M565BK) Block No. 01

△	Item	Parts number	Parts name	Remarks	Area	△	Item	Parts number	Parts name	Remarks	Area
	C 973	QETN1AM-107Z	E CAPACITOR	100MF 20% 10V			D 832	1SS133-T2	SI DIODE		
	C 974	QETN1AM-107Z	E CAPACITOR	100MF 20% 10V			D 833	1SS133-T2	SI DIODE		
	C 976	QFVJ1HJ-104Z	MF CAPACITOR	.10MF 5% 50V			△ D 901	S1WB/A/60-4101	BRIDGE DIODE		
	C 977	QFVJ1HJ-104Z	MF CAPACITOR	.10MF 5% 50V			△ D 902	ERA18-04-T1	FR DIODE		
	C 978	QETN1AM-107Z	E CAPACITOR	100MF 20% 10V			△ D 903	ERA18-04-T1	FR DIODE		
	C 979	QEMV1CM-827	E CAPACITOR	820MF 20% 16V	1U,EG,EN,ES		△ D 904	ERA18-04-T1	FR DIODE		
	C 979	QEMW1CM-827	E CAPACITOR	820MF 20% 16V	UF		△ D 908	ERA18-04-T1	FR DIODE		
	C 981	QCZ0205-155Z	ML C CAPACITOR	1.5MF			△ D 910	ERA18-04-T1	FR DIODE		
	C 982	QEMV1EM-567	E CAPACITOR	560MF 20% 25V	1U,EG,EN,ES		D 911	1SS133-T2	SI DIODE		
	C 982	QEMW1EM-567	E CAPACITOR	560MF 20% 25V	UF		D 950	MTZJ2C-T2	ZENER DIODE		
	C 984	QETN1EM-227Z	E CAPACITOR	220MF 20% 25V			△ D 951	ERA18-04-T1	FR DIODE		
	C 987	QEMX1EM-187Z	E CAPACITOR	180MF 20% 25V			△ D 952	ERA18-04-T1	FR DIODE		
	C 989	QETN1EM-107Z	E CAPACITOR	100MF 20% 25V			△ D 953	FMB-24	FUSEIODE		
	C 992	QETN1HM-474Z	E CAPACITOR	.47MF 20% 50V			△ D 954	ERA18-04-T1	FR DIODE		
	C 993	QCS11HJ-101	C CAPACITOR	100PF 5% 50V			△ D 956	ERA18-04-T1	FR DIODE		
	C 994	QDVB1EZ-223Y	C CAPACITOR				△ D 957	ERA18-04-T1	FR DIODE		
	C 995	QETN1CM-227Z	E CAPACITOR	220MF 20% 16V			D 960	MTZJ2.0A-T2	ZENER DIODE		
	C 996	QETN1CM-226Z	E CAPACITOR	22MF 20% 16V			D 970	1SS133-T2	SI DIODE		
	C 997	QETN1CM-227Z	E CAPACITOR	220MF 20% 16V			D 971	1SR35-100A-T5	SI DIODE		
	C1701	QETN1EM-476Z	E CAPACITOR	47MF 20% 25V			D 972	1SS133-T2	SI DIODE		
	C1702	QETN1EM-476Z	E CAPACITOR	47MF 20% 25V			D 973	1SS133-T2	SI DIODE		
	C1703	NCS21HJ-151X	C CAPACITOR				D 974	1SS133-T2	SI DIODE		
	C1704	NCS21HJ-221X	C CAPACITOR				D 991	MTZJ5.1A-T2	ZENER DIODE		
	C1705	NCS21HJ-221X	C CAPACITOR				D1801	QLF0064-001	FL TUBE		
	CN601	QGF1016F1-09	CONNECTOR				EP711	QNZ0136-001Z	EARTH PLATE		
	CN701	QGF1016C1-23	CONNECTOR				EP951	QNZ0136-001Z	EARTH PLATE		
	CN702	QGF1205C1-10	CONNECTOR				FC901	QNG0003-001Z	FUSE CLIP		
	CN703	QGF1205C1-09	CONNECTOR				FC902	QNG0003-001Z	FUSE CLIP		
	CN704	QGD2501C1-03Z	SOCKET				FL901	E67132-T1R6	T1R6 FUSE LABEL		
	CN705	QGD2501C1-03Z	SOCKET		EG,EN,ES		FW601	QUM133-10DGZ4	PARA RIBON WIRE	TO CN704	1U,EG,EN,ES
	CN712	QGD2501C1-03Z	SOCKET		UF		FW601	QUM153-10DGZ4	F.WIRE	TO CN704	UF
	CN801	QGF1210G1-09	CONNECTOR				FW602	QUM024-26Z3Z3	PARA RIBON WIRE	TO FW705	EG,EN,ES
	CN951	QGD2501C1-04Z	SOCKET				FW603	QUM133-12DGZ4	PARA RIBON WIRE	TO CN705	EG,EN,ES
	CN952	QGD2501C1-04Z	SOCKET				FW701	QUM138-26DGZ4	PARA RIBON WIRE	TO CN951&CN952	1U,EG,EN,ES
	CN961	QGA2001C1-09	9P PLUG ASSY				FW701	QUM158-26DGZ4	PARA RIBON WIRE	TO CN951&CN952	UF
	CN971	QGD2501C1-03Z	SOCKET				FW801	QUM136-16DGZ4	PARA RIBON WIRE	TO CN971&CN972	1U,EG,EN,ES
	CN972	QGD2501C1-03Z	SOCKET				FW801	QUM156-16DGZ4	PARA RIBON WIRE	TO CN971&CN972	UF
	CN981	QGD2501C1-04Z	SOCKET		UF		FW802	QUM133-15Z4Z4	PARA RIBON WIRE	TO FW841(SHUT)	1U,EG,EN,ES
△	CP951	ICP-N10-T	ICP				FW802	QUM153-15Z4Z4	PARA RIBON WIRE	TO FW841(SHUT)	UF
△	CP952	ICP-N5-T	ICP				HS901	E70306-002	HEAT SINK		
	D 609	1SS133-T2	SI DIODE		1U,UF		HS964	LE40505-001A	HEAT SINK		
	D 619	1SS133-T2	SI DIODE		1U,UF		IC701	MN101C12GHC	IC	SYSTEM MICOM	
	D 629	1SS133-T2	SI DIODE				IC702	IC-PST9140-T	IC		
	D 639	1SS133-T2	SI DIODE				IC703	MN35503-X	IC		
	D 649	1SS133-T2	SI DIODE				IC704	TC7S08F-W	IC		
	D 701	1SS133-T2	SI DIODE				△ IC711	BA41W12ST-V5	IC		
	D 702	MTZJ3.3B-T2	ZENER DIODE IM				IC741	NJM4580M-X	IC		
	D 709	1SS133-T2	SI DIODE				IC751	NJM4580M-X	IC		
	D 731	KV1555N-T	VARI CAPACITOR				IC791	AK93C45AF-W	IC		
	D 732	KV1555N-T	VARI CAPACITOR				IC801	GP1U271X	RM RECIVER		
	D 733	MTZJ5.1C-T2	ZENER DIODE				IC802	M35500BGP	FL DRIVER		
	D 791	1SS133-T2	SI DIODE				△ IC901	STR-G6651	IC		
	D 792	1SS133-T2	SI DIODE				IC951	PQ05RD21	IC		
	D 801	SLR-342VC-T	LED	STANDBY			△ IC953	NJM78M05FA	IC		
	D 811	SLR-342MC-T	LED		UF		J 601	QNN0317-001	PIN JACK	COMPONENT	1U,UF
	D 812	SLR-342MC-T	LED		UF		J 602	QNZ0430-001	AV JACK	S-OUT&VIDEO	1U,UF
	D 813	SLR-342MC-T	LED		UF		J 691	QNZ0099-001	RGB CONNECTOR		EG,EN,ES
	D 814	SLR-342MC-T	LED		UF		J 692	QNZ0430-001	AV JACK	S-OUT&VIDEO	EG,EN,ES
	D 815	SLR-342MC-T	LED		UF		J 701	QNN0170-002	PIN JACK	AUDIO OUT	
	D 816	SLR-342MC-T	LED		UF		J 702	QNS0083-001	3.5 JACK	AV COMPULINK	
	D 821	SLR-342MC-T	LED				J 703	GP1FA550TZ	OPT TRANSMITTER	OPT DIGITAL OUT	
	D 822	SLR-342MC-T	LED				J 704	QNN0347-001	PIN JACK	COAXIAL	
	D 823	SLR-342MC-T	LED				K 601	QQR0601-001Z	FERRITE BEADS		
	D 831	1SS133-T2	SI DIODE				K 603	QQR0601-001Z	FERRITE BEADS		

Electrical parts list (Main board : XV-M565BK)

Block No. 01

△	Item	Parts number	Parts name	Remarks	Area
	K 701	NQR0227-004X	FERRITE BEADS		
	K 702	NQR0227-004X	FERRITE BEADS		
	K 703	NQR0227-004X	FERRITE BEADS		
	K 704	NQR0227-004X	FERRITE BEADS		
	K 706	NQR0227-004X	FERRITE BEADS		
	K 708	NQR0227-004X	FERRITE BEADS		
	K 951	QQR0601-001Z	FERRITE BEADS		UF
	K 952	QQR0601-001Z	FERRITE BEADS		UF
	K 953	QQR0601-001Z	FERRITE BEADS		UF
	K 954	QQR0601-001Z	FERRITE BEADS		UF
	L 601	QQL071J-120Y	INDUCTOR		1U,UF
	L 602	QQL071J-5R6Y	INDUCTOR		1U,UF
	L 611	QQL071J-120Y	INDUCTOR		1U,UF
	L 612	QQL071J-5R6Y	INDUCTOR		1U,UF
	L 621	QQL071J-120Y	INDUCTOR		
	L 622	QQL071J-5R6Y	INDUCTOR		
	L 631	QQL071J-120Y	INDUCTOR		
	L 632	QQL071J-5R6Y	INDUCTOR		
	L 641	QQL071J-120Y	INDUCTOR		
	L 642	QQL071J-5R6Y	INDUCTOR		
	L 709	QQL071J-2R2Y	INDUCTOR		
	L 731	QQL071J-1R2Y	INDUCTOR		
△	L 901	QQR0894-001	LINE FILTER		
	L 951	QQL01BK-R22Z	P COIL		
	L 952	QQL31AK-101Z	INDUCTOR		
	L 955	QQL31AK-101Z	INDUCTOR		
	L 957	QQL31AK-101Z	INDUCTOR		
	L 959	QQL31AK-101Z	INDUCTOR		
	P 901	QNC0046-001	AC INLET		1U
	P 901	QNC0006-001	AC SOCKET		EG,EN,ES,UF
△	PC901	PC123FY	IC(PHOTO COUPLE		1U,EG,EN,ES
△	PC901	PC123F	IC(PHOTO COUPLE		UF
△	PC902	PC123FY	IC(PHOTO COUPLE		1U,EG,EN,ES
△	PC902	PC123F	IC(PHOTO COUPLE		UF
	Q 601	2SA1175/FE/-T	TRANSISTOR		1U,UF
	Q 611	2SA1175/FE/-T	TRANSISTOR		1U,UF
	Q 621	2SA1175/FE/-T	TRANSISTOR		
	Q 631	2SA1175/FE/-T	TRANSISTOR		
	Q 641	2SA1175/FE/-T	TRANSISTOR		
	Q 691	DTC114EKA-X	TR		EG,EN,ES
	Q 692	DTC114EKA-X	TR		EG,EN,ES
	Q 694	2SC3576-JVC-T	TRANSISTOR I/M		EG,EN,ES
	Q 695	2SC3576-JVC-T	TRANSISTOR I/M		EG,EN,ES
	Q 709	DTC114YKA-X	CHIP D.TRANSIST		
	Q 711	DTA114EKA-X	DIGITAL_TRANSIS		
	Q 741	2SC3576-JVC-T	TRANSISTOR I/M	FREQ	
	Q 742	DTC114TSA-T	D.TRANSISTOR	ATT	UF
	Q 743	2SC3576-JVC-T	TRANSISTOR I/M	AMUTE1	
	Q 751	2SC3576-JVC-T	TRANSISTOR I/M	FREQ	
	Q 752	DTC114TSA-T	D.TRANSISTOR	ATT	UF
	Q 753	2SC3576-JVC-T	TRANSISTOR I/M	AMUTE1	
	Q 755	DTA144EKA-X	TRANSISTOR		UF
	Q 791	DTA114EKA-X	DIGITAL_TRANSIS		
	Q 821	DTC124EKA-X	TRANSISTOR		
	Q 822	DTC124EKA-X	TRANSISTOR		
	Q 823	DTC124EKA-X	TRANSISTOR		
	Q 951	2SC2060/QR/-T	TRANSISTOR		
	Q 952	DTA144EKA-X	TRANSISTOR		
	Q 953	2SA1175/FE/-T	TRANSISTOR		
△	Q 964	2SB1565/EF/	TRANSISTOR		
	Q 965	2SC2785/FE/-T	TRANSISTOR		
	Q 966	2SA1175/FE/-T	TRANSISTOR		
	Q 991	2SC2785/FE/-T	TRANSISTOR		
	R 601	NRSA02J-270X	MG RESISTOR		1U,UF

△	Item	Parts number	Parts name	Remarks	Area
	R 601	NRSA02J-101X	MG RESISTOR		EG,EN,ES
	R 602	NRSA02J-391X	MG RESISTOR		1U,UF
	R 602	NRSA02J-101X	MG RESISTOR		EG,EN,ES
	R 603	NRSA02J-270X	MG RESISTOR		1U,UF
	R 604	NRSA02J-391X	MG RESISTOR		1U,UF
	R 605	NRSA02J-221X	MG RESISTOR		1U,UF
	R 606	QRE141J-102Y	C RESISTOR	1.0K 5% 1/4W	1U,UF
	R 609	NRSA02J-750X	MG RESISTOR		1U,UF
	R 611	NRSA02J-270X	MG RESISTOR		1U,UF
	R 611	NRSA02J-101X	MG RESISTOR		EG,EN,ES
	R 612	NRSA02J-391X	MG RESISTOR		1U,UF
	R 612	NRSA02J-101X	MG RESISTOR		EG,EN,ES
	R 613	NRSA02J-270X	MG RESISTOR		1U,UF
	R 614	NRSA02J-391X	MG RESISTOR		1U,UF
	R 615	NRSA02J-221X	MG RESISTOR		1U,UF
	R 616	QRE141J-102Y	C RESISTOR	1.0K 5% 1/4W	1U,UF
	R 619	NRSA02J-750X	MG RESISTOR		1U,UF
	R 621	NRSA02J-751X	MG RESISTOR		
	R 622	NRSA02J-751X	MG RESISTOR		
	R 623	NRSA02J-751X	MG RESISTOR		
	R 624	NRSA02J-751X	MG RESISTOR		
	R 625	NRSA02J-221X	MG RESISTOR		
	R 629	NRSA02J-750X	MG RESISTOR		
	R 631	NRSA02J-680X	MG RESISTOR		
	R 632	NRSA02J-391X	MG RESISTOR		
	R 633	NRSA02J-680X	MG RESISTOR		
	R 634	NRSA02J-391X	MG RESISTOR		
	R 635	NRSA02J-221X	MG RESISTOR		
	R 636	QRE141J-102Y	C RESISTOR	1.0K 5% 1/4W	
	R 639	NRSA02J-750X	MG RESISTOR		
	R 641	NRSA02J-751X	MG RESISTOR		
	R 642	NRSA02J-751X	MG RESISTOR		
	R 643	NRSA02J-751X	MG RESISTOR		
	R 644	NRSA02J-751X	MG RESISTOR		
	R 645	NRSA02J-221X	MG RESISTOR		
	R 649	NRSA02J-750X	MG RESISTOR		
	R 650	QRE141J-561Y	C RESISTOR	560 5% 1/4W	
	R 651	QRE141J-102Y	C RESISTOR	1.0K 5% 1/4W	1U,UF
	R 651	QRE141J-561Y	C RESISTOR	560 5% 1/4W	EG,EN,ES
	R 659	NRSA02J-750X	MG RESISTOR		1U,UF
	R 685	NRSA02J-151X	MG RESISTOR		EG,EN,ES
	R 686	NRSA02J-151X	MG RESISTOR		EG,EN,ES
	R 687	NRSA02J-103X	MG RESISTOR		EG,EN,ES
	R 688	NRSA02J-103X	MG RESISTOR		EG,EN,ES
	R 694	NRSA02J-750X	MG RESISTOR		EG,EN,ES
	R 695	NRSA02J-750X	MG RESISTOR		EG,EN,ES
	R 696	NRSA02J-102X	MG RESISTOR		EG,EN,ES
	R 697	NRSA02J-821X	MG RESISTOR		EG,EN,ES
	R 698	NRSA02J-123X	MG RESISTOR		EG,EN,ES
	R 701	NRSA02J-102X	MG RESISTOR		
	R 702	NRSA02J-472X	MG RESISTOR		
	R 703	NRSA02J-105X	MG RESISTOR		
	R 704	NRSA02J-102X	MG RESISTOR		
	R 705	NRSA02J-2R2X	MG RESISTOR		
	R 706	NRSA02J-104X	MG RESISTOR		
	R 708	NRSA02J-101X	MG RESISTOR		
	R 709	NRSA02J-103X	MG RESISTOR		
	R 711	NRSA02J-560X	MG RESISTOR		
	R 712	NRSA02J-560X	MG RESISTOR		
	R 713	NRSA02J-560X	MG RESISTOR		
	R 714	NRSA02J-152X	MG RESISTOR		
	R 715	NRSA02J-560X	MG RESISTOR		
	R 716	NRSA02J-152X	MG RESISTOR		
	R 717	NRSA02J-101X	MG RESISTOR		

■ Electrical parts list (Main board : XV-M565BK)

Block No. 01

△	Item	Parts number	Parts name	Remarks	Area	△	Item	Parts number	Parts name	Remarks	Area
	R 718	NRSA02J-0R0X	MG RESISTOR				R 780	NRSA02J-112X	MG RESISTOR		EG,EN,ES
	R 719	NRSA02J-0R0X	MG RESISTOR				R 781	NRSA02J-112X	MG RESISTOR		EG,EN,ES
	R 720	NRSA02J-0R0X	MG RESISTOR				R 782	NRSA02J-221X	MG RESISTOR		
	R 721	NRSA02J-471X	MG RESISTOR				R 783	NRSA02J-221X	MG RESISTOR		
	R 722	NRSA02J-471X	MG RESISTOR				R 784	NRSA02J-112X	MG RESISTOR		UF
	R 723	NRSA02J-471X	MG RESISTOR				R 786	NRSA02J-333X	MG RESISTOR		
	R 724	NRSA02J-471X	MG RESISTOR				R 787	NRSA02J-333X	MG RESISTOR		UF
	R 725	NRSA02J-511X	MG RESISTOR				R 788	NRSA02J-222X	MG RESISTOR		
	R 726	NRSA02J-471X	MG RESISTOR				R 789	NRSA02J-222X	MG RESISTOR		
	R 727	NRSA02J-102X	MG RESISTOR				R 790	NRSA02J-112X	MG RESISTOR		EG,EN,ES
	R 728	NRSA02J-471X	MG RESISTOR				R 791	NRSA02J-112X	MG RESISTOR		EG,EN,ES
	R 729	NRSA02J-471X	MG RESISTOR				R 792	NRSA02J-221X	MG RESISTOR		
	R 730	NRSA02J-333X	MG RESISTOR				R 793	NRSA02J-221X	MG RESISTOR		
	R 731	NRSA02J-102X	MG RESISTOR				R 794	NRSA02J-112X	MG RESISTOR		UF
	R 732	NRSA02J-333X	MG RESISTOR				R 795	NRSA02J-472X	MG RESISTOR		EG,EN,ES,UF
	R 733	NRSA02J-104X	MG RESISTOR				R 796	NRSA02J-472X	MG RESISTOR		
	R 734	NRSA02J-333X	MG RESISTOR				R 797	NRSA02J-473X	MG RESISTOR		
	R 735	NRSA02J-104X	MG RESISTOR				R 798	NRSA02J-473X	MG RESISTOR		
	R 736	NRSA02J-181X	MG RESISTOR				R 799	NRSA02J-473X	MG RESISTOR		UF
	R 737	NRSA02J-104X	MG RESISTOR				R 801	NRSA02J-222X	MG RESISTOR		
	R 738	NRSA02J-153X	MG RESISTOR				R 802	NRSA02J-222X	MG RESISTOR		
	R 739	NRSA02J-102X	MG RESISTOR				R 803	NRSA02J-222X	MG RESISTOR		
	R 740	QRE141J-243Y	C RESISTOR	24K 5% 1/4W			R 804	NRSA02J-222X	MG RESISTOR		
	R 741	QRE141J-243Y	C RESISTOR	24K 5% 1/4W			R 805	NRSA02J-222X	MG RESISTOR		
	R 742	QRE141J-163Y	C RESISTOR	16K 5% 1/4W			R 806	NRSA02J-102X	MG RESISTOR		
	R 743	QRE141J-163Y	C RESISTOR	16K 5% 1/4W			R 807	NRSA02J-102X	MG RESISTOR		
	R 744	NRSA02J-682X	MG RESISTOR				R 808	NRSA02J-102X	MG RESISTOR		
	R 745	QRE141J-183Y	C RESISTOR	18K 5% 1/4W			R 809	NRSA02J-102X	MG RESISTOR		
	R 746	NRSA02J-821X	MG RESISTOR				R 810	NRSA02J-102X	MG RESISTOR		
	R 747	NRSA02J-362X	MG RESISTOR				R 811	NRSA02J-102X	MG RESISTOR		
	R 748	NRSA02J-561X	MG RESISTOR				R 812	NRSA02J-102X	MG RESISTOR		
	R 749	NRSA02J-103X	MG RESISTOR				R 813	NRSA02J-102X	MG RESISTOR		
	R 750	QRE141J-243Y	C RESISTOR	24K 5% 1/4W			R 821	NRSA02J-102X	MG RESISTOR		
	R 751	QRE141J-243Y	C RESISTOR	24K 5% 1/4W			R 822	NRSA02J-820X	MG RESISTOR		UF
	R 752	QRE141J-163Y	C RESISTOR	16K 5% 1/4W			R 823	NRSA02J-820X	MG RESISTOR		UF
	R 753	QRE141J-163Y	C RESISTOR	16K 5% 1/4W			R 824	NRSA02J-820X	MG RESISTOR		UF
	R 754	NRSA02J-682X	MG RESISTOR				R 825	NRSA02J-271X	MG RESISTOR		
	R 755	QRE141J-183Y	C RESISTOR	18K 5% 1/4W			R 826	NRSA02J-271X	MG RESISTOR		
	R 756	NRSA02J-821X	MG RESISTOR				R 827	NRSA02J-271X	MG RESISTOR		
	R 757	NRSA02J-362X	MG RESISTOR				R 830	NRSA02J-431X	MG RESISTOR		
	R 758	NRSA02J-561X	MG RESISTOR				R 831	NRSA02J-681X	MG RESISTOR		
	R 759	NRSA02J-103X	MG RESISTOR				R 832	NRSA02J-112X	MG RESISTOR		
	R 760	NRSA02J-105X	MG RESISTOR				R 833	NRSA02J-222X	MG RESISTOR		
	R 761	NRSA02J-561X	MG RESISTOR				R 840	NRSA02J-431X	MG RESISTOR		
	R 762	NRSA02J-821X	MG RESISTOR		1U,EG,EN,ES		R 841	NRSA02J-681X	MG RESISTOR		
	R 762	NRSA02J-562X	MG RESISTOR		UF		R 842	NRSA02J-112X	MG RESISTOR		
	R 763	NRSA02J-222X	MG RESISTOR		UF		R 843	NRSA02J-222X	MG RESISTOR		
	R 764	NRSA02J-183X	MG RESISTOR				R 844	NRSA02J-682X	MG RESISTOR		
	R 765	NRSA02J-561X	MG RESISTOR		1U,EG,EN,ES		R 845	NRSA02J-431X	MG RESISTOR		
	R 765	NRSA02J-112X	MG RESISTOR		UF		R 846	NRSA02J-681X	MG RESISTOR		
	R 766	NRSA02J-273X	MG RESISTOR				R 847	NRSA02J-112X	MG RESISTOR		
	R 767	NRSA02J-151X	MG RESISTOR				R 848	NRSA02J-222X	MG RESISTOR		
	R 768	NRSA02J-103X	MG RESISTOR				R 849	NRSA02J-682X	MG RESISTOR		
	R 770	NRSA02J-105X	MG RESISTOR				R 900	NRSA02J-221X	MG RESISTOR		
	R 771	NRSA02J-561X	MG RESISTOR				R 901	QRL01DJ-683X	OMF RESISTOR	68K 5% 1/1W	
	R 772	NRSA02J-821X	MG RESISTOR		1U,EG,EN,ES		R 903	QRE141J-270Y	C RESISTOR	27 5% 1/4W	
	R 772	NRSA02J-562X	MG RESISTOR		UF		R 904	QRE141J-222Y	C RESISTOR	2.2K 5% 1/4W	
	R 773	NRSA02J-222X	MG RESISTOR		UF		R 905	QRL027J-683	OMF RESISTOR	68K 5% 1/2W	
	R 774	NRSA02J-183X	MG RESISTOR				R 906	QRE141J-681Y	C RESISTOR	680 5% 1/4W	
	R 775	NRSA02J-561X	MG RESISTOR		1U,EG,EN,ES		R 907	QRT022J-R47	OMF RESISTOR	5% 1/2W	
	R 775	NRSA02J-112X	MG RESISTOR		UF		R 908	QRE141J-332Y	C RESISTOR	3.3K 5% 1/4W	
	R 776	NRSA02J-273X	MG RESISTOR				R 910	QRE141J-754Y	C RESISTOR	750K 5% 1/4W	
	R 777	NRSA02J-151X	MG RESISTOR				R 911	QRE141J-754Y	C RESISTOR	750K 5% 1/4W	
	R 778	NRSA02J-103X	MG RESISTOR				R 952	NRSA02J-103X	MG RESISTOR		

■ Electrical parts list (Main board : XV-M565BK) Block No. 01

△	Item	Parts number	Parts name	Remarks	Area
	R 953	NRSA02J-103X	MG RESISTOR		
△	R 954	QRZ9006-4R7X	F RESISTOR	4.7 1/0W	
	R 955	NRSA02J-223X	MG RESISTOR		
	R 956	QRE141J-100Y	C RESISTOR	10 5% 1/4W	
	R 960	NRSA02J-101X	MG RESISTOR		
	R 961	NRSA02J-681X	MG RESISTOR		
	R 964	NRSA02J-105X	MG RESISTOR		
	R 965	NRSA02J-103X	MG RESISTOR		
	R 969	NRSA02J-221X	MG RESISTOR		
	R 971	NRSA02J-472X	MG RESISTOR		
	R 972	NRSA02J-152X	MG RESISTOR		
	R 973	NRSA02J-102X	MG RESISTOR		
	R 974	NRSA02J-562X	MG RESISTOR		
	R 975	NRSA02J-562X	MG RESISTOR		
	R 976	NRSA02J-221X	MG RESISTOR		
	R 980	NRSA02J-272X	MG RESISTOR		
	R1704	NRSA02J-103X	MG RESISTOR		
	R1707	NRSA02J-222X	MG RESISTOR		
	R1708	NRSA02J-222X	MG RESISTOR		
	R1709	NRSA02J-102X	MG RESISTOR		
	R1710	NRSA02J-102X	MG RESISTOR		
	R1711	NRSA02J-102X	MG RESISTOR		
	R1712	NRSA02J-331X	MG RESISTOR		
	R1713	NRSA02J-101X	MG RESISTOR		
	R1714	NRSA02J-472X	MG RESISTOR		
	R1715	NRSA02J-103X	MG RESISTOR		1U
	R1716	NRSA02J-102X	MG RESISTOR		
	R1717	QRE141J-102Y	C RESISTOR	1.0K 5% 1/4W	UF
	R1721	NRSA02J-331X	MG RESISTOR		
	R1722	NRSA02J-750X	MG RESISTOR		
	R1723	NRSA02J-270X	MG RESISTOR		
	R1724	NRSA02J-101X	MG RESISTOR		
	S 691	QSW0454-001	SW	COMP/S	EG,EN,ES
	S 701	QSW0454-001	SW	NTSC/PAL	UF
	S 702	QSW0454-001	SW	ATT ON/OFF	UF
	S 801	QSW0683-001Z	PUSH SW I.M		
	S 811	QSW0683-001Z	PUSH SW I.M		
	S 812	QSW0683-001Z	PUSH SW I.M		
	S 813	QSW0683-001Z	PUSH SW I.M		
	S 814	QSW0683-001Z	PUSH SW I.M		
	S 815	QSW0683-001Z	PUSH SW I.M		
	S 821	QSW0683-001Z	PUSH SW I.M		
	S 822	QSW0683-001Z	PUSH SW I.M		
	S 823	QSW0683-001Z	PUSH SW I.M		
	S 824	QSW0683-001Z	PUSH SW I.M		
	S 825	QSW0683-001Z	PUSH SW I.M		
	S 826	QSW0683-001Z	PUSH SW I.M		
	S 831	QSW0683-001Z	PUSH SW I.M		
	S 832	QSW0683-001Z	PUSH SW I.M		
	S 833	QSW0683-001Z	PUSH SW I.M		
	S 834	QSW0683-001Z	PUSH SW I.M		
	S 835	QSW0683-001Z	PUSH SW I.M		
	S 836	QSW0683-001Z	PUSH SW I.M		
	S 841	QVQ0123-B15	SHUTTLE VR		
	SP701	VYH7653-001	IC HOLDER	FOR IC701	
	SP802	VYH7653-002	IC HOLDER	FOR IC802	
	T 701	QQR0880-001	PULSE TRANS		
△	T 901	QQS0028-001	SW TRANSF		
	X 701	QAX0356-001Z	RESONATOR		

■ Electrical parts list (Traverse mechanism control board : XV-M565BK) Block No. 02

△	Item	Parts number	Parts name	Remarks	Area
	C 101	NCB31CK-104X	C CAPACITOR		
	C 102	NEA70JM-476X	E.CAPACITOR		
	C 103	NCB31CK-104X	C CAPACITOR		
	C 104	NCS31HJ-560X	C CAPACITOR		
	C 105	NCS31HJ-101X	C.CAPACITOR		
	C 106	NEA71CM-106X	E.CAPACITOR		
	C 107	NCB31CK-104X	C CAPACITOR		
	C 108	NCB31CK-104X	C CAPACITOR		
	C 109	NCB31CK-104X	C CAPACITOR		
	C 110	NCS31HJ-101X	C.CAPACITOR		
	C 111	NCB21CK-184X	C CAPACITOR		
	C 112	NCB31CK-104X	C CAPACITOR		
	C 113	NCB31CK-104X	C CAPACITOR		
	C 114	NCB31CK-104X	C CAPACITOR		
	C 115	NCB31HK-392X	C CAPACITOR		
	C 116	NCB31CK-104X	C CAPACITOR		
	C 117	NCB11CK-105X	C CAPACITOR		
	C 118	NEX40JM-336X	E CAPACITOR		
	C 119	NCB31CK-104X	C CAPACITOR		
	C 120	NCB31CK-104X	C CAPACITOR		
	C 121	NCB21CK-334X	C CAPACITOR		
	C 122	NCS31HJ-121X	C CAPACITOR		
	C 123	NCB31CK-104X	C CAPACITOR		
	C 124	NCB31CK-104X	C CAPACITOR		
	C 125	NCB31CK-104X	C CAPACITOR		
	C 126	NCS31HJ-221X	C CAPACITOR		
	C 127	NCS31HJ-221X	C CAPACITOR		
	C 128	NCB31CK-104X	C CAPACITOR		
	C 129	NCB21CK-224X	C CAPACITOR		
	C 130	NCB31HK-102X	C CAPACITOR		
	C 131	NCB31HK-681X	C CAPACITOR		
	C 132	NCB31CK-104X	C CAPACITOR		
	C 133	NEX40JM-566X	E CAPACITOR		
	C 134	NCB11CK-105X	C CAPACITOR		
	C 135	NCS31HJ-221X	C CAPACITOR		
	C 136	NCB31CK-104X	C CAPACITOR		
	C 137	NCB31CK-104X	C CAPACITOR		
	C 138	NCB31CK-104X	C CAPACITOR		
	C 139	NCB31CK-104X	C CAPACITOR		
	C 140	NCB31CK-104X	C CAPACITOR		
	C 141	NCS31HJ-820X	C CAPACITOR		
	C 142	NCB31HK-222X	C CAPACITOR		
	C 143	NCB21CK-224X	C CAPACITOR		
	C 144	NCB31CK-104X	C CAPACITOR		
	C 145	NCB11CK-105X	C CAPACITOR		
	C 151	NEX40JM-156X	E.CAPACITOR		
	C 152	NEX40JM-156X	E.CAPACITOR		
	C 153	NCB31CK-104X	C CAPACITOR		
	C 154	NCB31CK-104X	C CAPACITOR		
	C 191	NCB31CK-104X	C CAPACITOR		
	C 192	NEA70JM-107X	E.CAPACITOR		
	C 201	NCB31CK-104X	C CAPACITOR		
	C 202	NCB31CK-393X	C CAPACITOR		
	C 203	NCB31CK-393X	C CAPACITOR		
	C 204	NCB31CK-393X	C CAPACITOR		
	C 205	NCB31CK-393X	C CAPACITOR		
	C 206	NCB31CK-104X	C CAPACITOR		
	C 208	NCB31CK-104X	C CAPACITOR		
	C 209	NCB31CK-104X	C CAPACITOR		
	C 210	NCB31CK-104X	C CAPACITOR		
	C 211	NCB31CK-104X	C CAPACITOR		
	C 212	NCB31CK-104X	C CAPACITOR		
	C 213	NCB31CK-104X	C CAPACITOR		
	C 214	NCB31CK-104X	C CAPACITOR		

■ Electrical parts list (Traverse mechanism control board : XV-M565BK) Block No. 02

△	Item	Parts number	Parts name	Remarks	Area	△	Item	Parts number	Parts name	Remarks	Area
	C 215	NCB31HK-392X	C CAPACITOR				C 374	NCB31CK-104X	C CAPACITOR		
	C 217	NCB31HK-821X	C CAPACITOR				C 376	NCB31CK-104X	C CAPACITOR		
	C 218	NCB31HK-331X	C CAPACITOR				C 391	NCB31CK-104X	C CAPACITOR		
	C 219	NCB31HK-471X	C CAPACITOR				C 392	NEA70JM-226X	E CAPACITOR		
	C 221	NCB31HK-271X	C CAPACITOR				C 401	NCB31CK-104X	C CAPACITOR		
	C 222	NCB31HK-821X	C CAPACITOR				C 402	NCB31CK-104X	C CAPACITOR		
	C 223	NCB31HK-821X	C CAPACITOR				C 403	NEA70JM-226X	E CAPACITOR		
	C 224	NEA70JM-226X	E CAPACITOR				C 404	NCB31CK-104X	C CAPACITOR		
	C 225	NCB11CK-105X	C CAPACITOR				C 405	NCB31CK-104X	C CAPACITOR		
	C 226	NCB31CK-104X	C CAPACITOR				C 406	NCB31CK-104X	C CAPACITOR		
	C 227	NCB31CK-104X	C CAPACITOR				C 407	NCB31CK-104X	C CAPACITOR		
	C 228	NEA70JM-107X	E.CAPACITOR				C 408	NEA70JM-226X	E CAPACITOR		
	C 229	NCB11CK-105X	C CAPACITOR				C 409	NCB31CK-104X	C CAPACITOR		
	C 230	NCB31CK-104X	C CAPACITOR				C 411	NCB31CK-104X	C CAPACITOR		
	C 231	NCB31CK-104X	C CAPACITOR				C 412	NCB31CK-104X	C CAPACITOR		
	C 232	NCB31CK-104X	C CAPACITOR				C 441	NCB31CK-104X	C CAPACITOR		
	C 233	NCS31HJ-330X	C CAPACITOR				C 442	NEX40JM-156X	E.CAPACITOR		
	C 234	NCB31HK-331X	C CAPACITOR				C 452	NCB31CK-104X	C CAPACITOR		
	C 235	NCB31CK-104X	C CAPACITOR				C 501	NCB31CK-104X	C CAPACITOR		
	C 236	NCB31CK-823X	C CAPACITOR				C 502	NCB31CK-104X	C CAPACITOR		
	C 237	NCB31CK-823X	C CAPACITOR				C 503	NCB31CK-104X	C CAPACITOR		
	C 241	NCB31CK-104X	C CAPACITOR				C 504	NCB31CK-104X	C CAPACITOR		
	C 242	NEA70JM-107X	E.CAPACITOR				C 505	NCB31CK-104X	C CAPACITOR		
	C 262	NCB31EK-332X	C CAPACITOR				C 506	NCB31CK-104X	C CAPACITOR		
	C 271	NCB31CK-104X	C CAPACITOR				C 507	NCB31CK-104X	C CAPACITOR		
	C 273	NCB31HK-102X	C CAPACITOR				C 508	NCB31CK-104X	C CAPACITOR		
	C 275	NCB31HK-102X	C CAPACITOR				C 509	NCB31CK-104X	C CAPACITOR		
	C 276	NCB31CK-104X	C CAPACITOR				C 510	NCB31CK-104X	C CAPACITOR		
	C 281	NEA70JM-226X	E CAPACITOR				C 511	NCB31CK-104X	C CAPACITOR		
	C 282	NCB31CK-104X	C CAPACITOR				C 512	NCB31CK-104X	C CAPACITOR		
	C 284	NCB31HK-102X	C CAPACITOR				C 513	NCB31CK-104X	C CAPACITOR		
	C 286	NCB31HK-102X	C CAPACITOR				C 514	NCB31CK-104X	C CAPACITOR		
	C 287	NCB31CK-104X	C CAPACITOR				C 515	NCB31CK-104X	C CAPACITOR		
	C 288	NEA71CM-226X	E.CAPAP. C.M				C 516	NCB31CK-104X	C CAPACITOR		
	C 290	NCB31CK-104X	C CAPACITOR				C 517	NCB31CK-104X	C CAPACITOR		
	C 301	NCB31CK-104X	C CAPACITOR				C 518	NCB31CK-104X	C CAPACITOR		
	C 302	NCB31CK-104X	C CAPACITOR				C 519	NCB31CK-104X	C CAPACITOR		
	C 303	NCB31CK-104X	C CAPACITOR				C 520	NCB31CK-104X	C CAPACITOR		
	C 304	NCB31CK-104X	C CAPACITOR				C 521	NCB31CK-104X	C CAPACITOR		
	C 305	NCB31CK-104X	C CAPACITOR				C 522	NCB31CK-104X	C CAPACITOR		
	C 306	NCB31CK-104X	C CAPACITOR				C 523	NCB31CK-104X	C CAPACITOR		
	C 307	NCB31CK-104X	C CAPACITOR				C 524	NCB31CK-104X	C CAPACITOR		
	C 308	NCB31CK-103X	C CAPACITOR				C 525	NCB31CK-104X	C CAPACITOR		
	C 309	NCB31CK-104X	C CAPACITOR				C 526	NCB31CK-104X	C CAPACITOR		
	C 310	NCB31CK-104X	C CAPACITOR				C 527	NCB31CK-104X	C CAPACITOR		
	C 311	NCB31CK-104X	C CAPACITOR				C 528	NCB31CK-104X	C CAPACITOR		
	C 314	NCB31CK-104X	C CAPACITOR				C 529	NCB31CK-104X	C CAPACITOR		
	C 315	NCB31CK-104X	C CAPACITOR				C 530	NEA70JM-107X	E.CAPACITOR		
	C 316	NEA70JM-107X	E.CAPACITOR				C 531	NCB31CK-104X	C CAPACITOR		
	C 317	NCB11CK-105X	C CAPACITOR				C 532	NCB31CK-104X	C CAPACITOR		
	C 318	NCB31CK-104X	C CAPACITOR				C 533	NCB31CK-104X	C CAPACITOR		
	C 319	NCB31CK-104X	C CAPACITOR				C 534	NEA70JM-107X	E.CAPACITOR		
	C 320	NCB31CK-104X	C CAPACITOR				C 535	NCB31CK-104X	C CAPACITOR		
	C 321	NCB31CK-104X	C CAPACITOR				C 536	NCB31CK-103X	C CAPACITOR		
	C 322	NEA70JM-107X	E.CAPACITOR				C 537	NEA70JM-226X	E CAPACITOR		
	C 323	NCB11CK-105X	C CAPACITOR				C 538	NCB31CK-104X	C CAPACITOR		
	C 324	NCB31CK-104X	C CAPACITOR				C 539	NCB31CK-104X	C CAPACITOR		
	C 341	NCB31CK-104X	C CAPACITOR				C 540	NEA70JM-226X	E CAPACITOR		
	C 342	NCB31CK-104X	C CAPACITOR				C 541	NCB31CK-104X	C CAPACITOR		
	C 343	NCB31CK-104X	C CAPACITOR				C 542	NEA70JM-226X	E CAPACITOR		
	C 344	NCB31CK-104X	C CAPACITOR				C 543	NCB31CK-104X	C CAPACITOR		
	C 371	NCS31HJ-100X	C CAPACITOR				C 546	NEA71CM-106X	E.CAPACITOR		UF
	C 372	NCS31HJ-100X	C CAPACITOR				C 547	NCB31CK-104X	C CAPACITOR		UF
	C 373	NCB31CK-104X	C CAPACITOR				C 550	NEA71CM-106X	E.CAPACITOR		UF

■ Electrical parts list (Traverse mechanism control board : XV-M565BK) Block No. 02

△	Item	Parts number	Parts name	Remarks	Area	△	Item	Parts number	Parts name	Remarks	Area
	C 556	NEA70JM-107X	E.CAPACITOR				K 157	NQR0007-002X	FERRITE BEADS		
	C 557	NCB31CK-104X	C CAPACITOR				K 158	NQR0007-002X	FERRITE BEADS		
	C 561	NCB31CK-104X	C CAPACITOR				K 159	NQR0007-002X	FERRITE BEADS		
	C 562	NEA70JM-226X	E CAPACITOR				K 160	NQR0007-002X	FERRITE BEADS		
	C 563	NCB31CK-104X	C CAPACITOR				K 201	NQR0007-002X	FERRITE BEADS		
	C 564	NCB31CK-104X	C CAPACITOR				K 202	NQR0007-002X	FERRITE BEADS		
	C 565	NCB31CK-104X	C CAPACITOR				K 271	NQR0007-002X	FERRITE BEADS		
	C 566	NCB31CK-104X	C CAPACITOR				K 301	NQR0007-002X	FERRITE BEADS		
	C 567	NEA70JM-226X	E CAPACITOR				K 302	NQR0007-002X	FERRITE BEADS		
	C 568	NCB31CK-104X	C CAPACITOR				K 303	NQR0129-004X	FERRITE BEADS		1U
	C 569	NEA70JM-226X	E CAPACITOR				K 371	NQR0007-002X	FERRITE BEADS		
	C 570	NCB31CK-104X	C CAPACITOR				K 373	NQR0129-004X	FERRITE BEADS		1U
	C 589	NEA71EM-475X	E.CAPACITOR.		UF		K 401	NQR0007-002X	FERRITE BEADS		
	C 590	NEA71EM-475X	E.CAPACITOR.		UF		K 402	NQR0007-002X	FERRITE BEADS		
	C 591	NCB31HK-222X	C CAPACITOR		UF		K 501	NQR0007-002X	FERRITE BEADS		
	C 592	NCB31HK-222X	C CAPACITOR		UF		K 502	NQR0007-002X	FERRITE BEADS		
	C 593	NCB31CK-104X	C CAPACITOR		UF		K 503	NQR0007-002X	FERRITE BEADS		
	C 594	NEA71EM-475X	E.CAPACITOR.		UF		K 504	NQR0201-001X	FERRITE BEADS		
	C 595	NCB31CK-104X	C CAPACITOR		UF		K 505	NQR0269-001X	FERRITE BEADS		
	C 596	NEA71EM-475X	E.CAPACITOR.		UF		K 506	NQR0007-002X	FERRITE BEADS		
	C 599	NCB31CK-104X	C CAPACITOR		UF		K 511	NQR0007-002X	FERRITE BEADS		UF
	CN101	QGF1016F2-19W	CONNECTOR	MECHA			K 550	NQR0007-002X	FERRITE BEADS		
	CN102	QGF1016C2-11W	CONNECTOR	SP&STP			K 551	NQR0007-002X	FERRITE BEADS		
	CN501	QGA2001F2-09X	CONNECTOR	POWER			K 553	NQR0007-002X	FERRITE BEADS		
	CN502	QGF1016F2-23W	CONNECTOR	SYSTEM			K 554	NQR0007-002X	FERRITE BEADS		
	CN503	QGF1016F2-09W	CONNECTOR C.M	VIDEO			K 555	NQR0007-002X	FERRITE BEADS		
	D 201	1SS355-X	DIODE				K 556	NQR0007-002X	FERRITE BEADS		
	D 272	DAN202K-X	D.TRANSISTOR				K 557	NQR0007-002X	FERRITE BEADS		
	D 511	1SS355-X	DIODE		UF		K 558	NQR0007-002X	FERRITE BEADS		
	D 512	1SS355-X	DIODE		UF		K 559	NQR0007-002X	FERRITE BEADS		
	D 513	1SS355-X	DIODE		UF		K 561	NQR0007-002X	FERRITE BEADS		
	D 514	1SS355-X	DIODE		UF		K 562	NQR0007-002X	FERRITE BEADS		
	D 551	1SS355-X	DIODE				K 563	NQR0007-002X	FERRITE BEADS		
	D 552	1SS355-X	DIODE				K 564	NQR0007-002X	FERRITE BEADS		
	IC101	AN8706FHQ	IC				K 565	NQR0007-002X	FERRITE BEADS		
	IC102	RN5RZ20BA-X	IC				K 566	NQR0007-002X	FERRITE BEADS		
	IC201	MN67705EA	IC				K 567	NQR0007-002X	FERRITE BEADS		
	IC271	M56788FP-W	IC				K 568	NQR0007-002X	FERRITE BEADS		
	IC301	MN103007BGA	IC				K 569	NQR0007-002X	FERRITE BEADS		
	IC311	TC7SH08FU-X	IC				K 570	NQR0007-002X	FERRITE BEADS		
	IC312	TC7SH32FU-X	IC				K 571	NQR0007-002X	FERRITE BEADS		
	IC321	TC7WH74FU-X	IC				K 572	NQR0007-002X	FERRITE BEADS		
	IC322	TC74VHC00FT-X	IC				K 574	NQR0007-002X	FERRITE BEADS		
	IC371	TC7SHU04FU-X	IC(DIGITAL)				K 575	NQR0007-002X	FERRITE BEADS		
	IC372	TC7SHU04FU-X	IC(DIGITAL)				K 576	NQR0007-002X	FERRITE BEADS		
	IC374	TC7WH74FU-X	IC				K 577	NQR0007-002X	FERRITE BEADS		
	IC401	MN102L25GHB	IC C.M				K 578	NQR0007-002X	FERRITE BEADS		
	IC402	MSM531622F75G-X	IC C.M		1U		K 579	NQR0007-002X	FERRITE BEADS		
	IC402	MSM531622F76G-X	IC C.M		EG,EN,ES		K 580	NQR0007-002X	FERRITE BEADS		
	IC402	MSM531622F77G-X	IC C.M		UF		K 581	NQR0007-002X	FERRITE BEADS		
	IC403	AK93C65AF-X	IC				L 191	NQL044K-100X	INDUCTOR		
	IC452	TC7WT125FU-X	IC(DIGITAL)				L 241	NQL044K-100X	INDUCTOR		
	IC501	ZIVA3-PE0	IC				Q 101	2SB1424/QR/-X	TRANSISTOR		
	IC502	NAX0265-001X	IC	27MHZ			Q 102	DTC124EE-X	DIGI TRANSISTOR		
	IC503	TC74VHC00FT-X	IC				Q 103	DTA124EE-X	DIGI TRANSISTOR		
	IC504	K4S161622D-TC80	IC	SAMSUNG	1U,UF		Q 104	DTC124EE-X	DIGI TRANSISTOR		
	IC505	K4S161622D-TC80	IC	SAMSUNG	1U,UF		Q 105	DTC144EE-X	TRANSISTOR		
	IC511	AK5353VT-X	IC		UF		Q 251	DTC144EE-X	TRANSISTOR		
	IC554	MC44724AVFU	IC				Q 252	DTA144EE-X	DIGI TRANSISTOR		
	K 101	NQR0007-002X	FERRITE BEADS				Q 254	DTC144EE-X	TRANSISTOR		
	K 102	NQR0007-002X	FERRITE BEADS				R 101	NRS125J-270X	MG RESISTOR		
	K 103	NQR0007-002X	FERRITE BEADS				R 102	NRS125J-2R2X	MG RESISTOR		
	K 155	NQR0007-002X	FERRITE BEADS				R 103	NRSA63J-123X	MG RESISTOR		
	K 156	NQR0007-002X	FERRITE BEADS				R 104	NRSA63J-103X	MG RESISTOR		

■ Electrical parts list (Traverse mechanism control board : XV-M565BK) Block No. 02

△	Item	Parts number	Parts name	Remarks	Area	△	Item	Parts number	Parts name	Remarks	Area
	R 106	NRSA63J-223X	MG RESISTOR				R 242	NRSA63J-102X	MG RESISTOR		
	R 108	NRSA63J-103X	MG RESISTOR				R 243	NRSA63J-472X	MG RESISTOR		
	R 109	NRSA63J-823X	MG RESISTOR				R 244	NRSA63J-102X	MG RESISTOR		
	R 110	NRSA63J-393X	MG RESISTOR				R 245	NRVA63D-123X	MG RESISTOR		
	R 112	NRVA63D-123X	MG RESISTOR				R 247	NRVA63D-123X	MG RESISTOR		
	R 113	NRSA63J-393X	MG RESISTOR				R 249	NRSA63J-102X	MG RESISTOR		
	R 114	NRSA63J-272X	MG RESISTOR				R 251	NRVA63D-123X	MG RESISTOR		
	R 115	NRSA63J-223X	MG RESISTOR				R 252	NRVA63D-123X	MG RESISTOR		
	R 116	NRSA63J-103X	MG RESISTOR				R 253	NRVA63D-123X	MG RESISTOR		
	R 117	NRSA63J-223X	MG RESISTOR				R 254	NRVA63D-123X	MG RESISTOR		
	R 118	NRSA63J-153X	MG RESISTOR				R 257	NRSA63J-103X	MG RESISTOR		
	R 119	NRSA63J-155X	MG RESISTOR				R 266	NRSA63J-223X	MG RESISTOR		
	R 120	NRVA63D-332X	MF RESISTOR				R 268	NRSA63J-563X	MG RESISTOR		
	R 121	NRSA63J-474X	MG RESISTOR				R 269	NRSA63J-0R0X	MG RESISTOR		
	R 122	NRSA63J-474X	MG RESISTOR				R 270	NRSA63J-393X	MG RESISTOR		
	R 123	NRSA63J-822X	MG RESISTOR				R 271	NRSA63J-243X	MG RESISTOR		
	R 124	NRSA63J-183X	MG RESISTOR				R 272	NRSA63J-103X	MG RESISTOR		
	R 125	NRSA63J-154X	MG RESISTOR				R 273	NRSA63J-103X	MG RESISTOR		
	R 126	NRSA63J-564X	MG RESISTOR				R 275	NRSA63J-243X	MG RESISTOR		
	R 127	NRSA63J-123X	MG RESISTOR				R 276	NRSA63J-103X	MG RESISTOR		
	R 128	NRSA63J-223X	MG RESISTOR				R 277	NRSA63J-103X	MG RESISTOR		
	R 129	NRSA63J-103X	MG RESISTOR				R 278	NRSA63J-223X	MG RESISTOR		
	R 130	NRSA63J-822X	MG RESISTOR				R 279	NRSA63J-223X	MG RESISTOR		
	R 131	NRSA63J-0R0X	MG RESISTOR				R 282	NRSA63J-223X	MG RESISTOR		
	R 201	NRSA63J-102X	MG RESISTOR				R 283	NRSA63J-103X	MG RESISTOR		
	R 202	NRSA63J-102X	MG RESISTOR				R 284	NRSA63J-103X	MG RESISTOR		
	R 203	NRSA63J-102X	MG RESISTOR				R 285	NRSA63J-0R0X	MG RESISTOR		
	R 204	NRSA63J-102X	MG RESISTOR				R 286	NRSA63J-223X	MG RESISTOR		
	R 205	NRSA63J-473X	MG RESISTOR				R 287	NRSA63J-103X	MG RESISTOR		
	R 206	NRSA63J-103X	MG RESISTOR				R 288	NRSA63J-103X	MG RESISTOR		
	R 207	NRSA63J-473X	MG RESISTOR				R 290	NRSA63J-0R0X	MG RESISTOR		
	R 209	NRSA63J-473X	MG RESISTOR				R 301	NRSA63J-473X	MG RESISTOR		
	R 210	NRSA63J-473X	MG RESISTOR				R 302	NRSA63J-473X	MG RESISTOR		
	R 211	NRSA63J-102X	MG RESISTOR				R 303	NRSA63J-473X	MG RESISTOR		
	R 212	NRSA63J-102X	MG RESISTOR				R 304	NRSA63J-473X	MG RESISTOR		
	R 213	NRSA63J-183X	MG RESISTOR				R 305	NRSA63J-473X	MG RESISTOR		
	R 214	NRSA63J-822X	MG RESISTOR				R 306	NRSA63J-473X	MG RESISTOR		
	R 215	NRSA63J-473X	MG RESISTOR				R 307	NRSA63J-473X	MG RESISTOR		
	R 216	NRSA63J-473X	MG RESISTOR				R 308	NRSA63J-473X	MG RESISTOR		
	R 217	NRSA63J-0R0X	MG RESISTOR				R 310	NRSA63J-102X	MG RESISTOR		
	R 218	NRSA63J-0R0X	MG RESISTOR				R 311	NRSA63J-102X	MG RESISTOR		
	R 219	NRSA63J-0R0X	MG RESISTOR				R 312	NRSA63J-102X	MG RESISTOR		
	R 220	NRSA63J-472X	MG RESISTOR				R 313	NRSA63J-0R0X	MG RESISTOR		
	R 221	NRSA63J-0R0X	MG RESISTOR				R 314	NRSA63J-0R0X	MG RESISTOR		
	R 222	NRSA63J-0R0X	MG RESISTOR				R 315	NRSA63J-0R0X	MG RESISTOR		EG,EN,ES,UF
	R 223	NRSA63J-0R0X	MG RESISTOR				R 317	NRSA63J-473X	MG RESISTOR		
	R 224	NRSA63J-0R0X	MG RESISTOR				R 318	NRSA63J-0R0X	MG RESISTOR		
	R 225	NRSA63J-0R0X	MG RESISTOR				R 319	NRSA63J-0R0X	MG RESISTOR		
	R 226	NRSA63J-0R0X	MG RESISTOR				R 322	NRSA63J-473X	MG RESISTOR		
	R 227	NRSA63J-0R0X	MG RESISTOR				R 324	NRSA63J-473X	MG RESISTOR		
	R 228	NRSA63J-103X	MG RESISTOR				R 328	NRSA63J-473X	MG RESISTOR		
	R 229	NRSA63J-0R0X	MG RESISTOR				R 342	NRSA63J-0R0X	MG RESISTOR		
	R 230	NRSA63J-103X	MG RESISTOR				R 343	NRSA63J-102X	MG RESISTOR		
	R 231	NRVA63D-683X	MF RESISTOR				R 371	NRSA63J-105X	MG RESISTOR		
	R 232	NRVA63D-683X	MF RESISTOR				R 372	NRSA63J-101X	MG RESISTOR		
	R 233	NRSA63J-103X	MG RESISTOR				R 373	NRSA63J-0R0X	MG RESISTOR		EG,EN,ES,UF
	R 234	NRSA63J-103X	MG RESISTOR				R 403	NRSA63J-472X	MG RESISTOR		
	R 235	NRSA63J-473X	MG RESISTOR				R 405	NRSA63J-472X	MG RESISTOR		
	R 236	NRSA63J-123X	MG RESISTOR				R 408	NRSA63J-472X	MG RESISTOR		
	R 237	NRSA63J-0R0X	MG RESISTOR				R 410	NRSA63J-0R0X	MG RESISTOR		
	R 238	NRSA63J-223X	MG RESISTOR				R 411	NRSA63J-472X	MG RESISTOR		
	R 239	NRSA63J-333X	MG RESISTOR				R 412	NRSA63J-103X	MG RESISTOR		
	R 240	NRSA63J-333X	MG RESISTOR				R 413	NRSA63J-472X	MG RESISTOR		
	R 241	NRVA63D-362X	MG RESISTOR				R 414	NRSA63J-472X	MG RESISTOR		

■ Electrical parts list (Traverse mechanism control board : XV-M565BK) Block No. 02

△	Item	Parts number	Parts name	Remarks	Area
	R 415	NRSA63J-472X	MG RESISTOR		
	R 416	NRSA63J-472X	MG RESISTOR		
	R 418	NRSA63J-472X	MG RESISTOR		
	R 420	NRSA63J-0R0X	MG RESISTOR		
	R 421	NRSA63J-0R0X	MG RESISTOR		UF
	R 422	NRSA63J-0R0X	MG RESISTOR		1U,UF
	R 423	NRSA63J-0R0X	MG RESISTOR		1U,EG,EN,ES
	R 424	NRSA63J-0R0X	MG RESISTOR		1U,EG,EN,ES
	R 426	NRSA63J-0R0X	MG RESISTOR		UF
	R 431	NRSA63J-472X	MG RESISTOR		
	R 432	NRSA63J-472X	MG RESISTOR		
	R 461	NRSA63J-0R0X	MG RESISTOR		
	R 462	NRSA63J-0R0X	MG RESISTOR		
	R 501	NRSA63J-102X	MG RESISTOR		
	R 502	NRSA63J-222X	MG RESISTOR		
	R 503	NRSA63J-103X	MG RESISTOR		
	R 504	NRSA63J-330X	MG RESISTOR		
	R 505	NRSA63J-330X	MG RESISTOR		
	R 506	NRSA63J-330X	MG RESISTOR		
	R 507	NRSA63J-330X	MG RESISTOR		
	R 508	NRSA63J-330X	MG RESISTOR		
	R 509	NRSA63J-330X	MG RESISTOR		
	R 510	NRSA63J-330X	MG RESISTOR		
	R 511	NRSA63J-330X	MG RESISTOR		
	R 512	NRSA63J-330X	MG RESISTOR		
	R 513	NRSA63J-330X	MG RESISTOR		
	R 514	NRSA63J-330X	MG RESISTOR		
	R 515	NRSA63J-330X	MG RESISTOR		
	R 516	NRSA63J-330X	MG RESISTOR		
	R 517	NRSA63J-330X	MG RESISTOR		
	R 518	NRSA63J-330X	MG RESISTOR		
	R 519	NRSA63J-330X	MG RESISTOR		
	R 520	NRSA63J-330X	MG RESISTOR		
	R 521	NRSA63J-330X	MG RESISTOR		
	R 522	NRSA63J-330X	MG RESISTOR		
	R 523	NRSA63J-181X	MG RESISTOR		
	R 524	NRSA63J-181X	MG RESISTOR		
	R 525	NRSA63J-181X	MG RESISTOR		
	R 526	NRSA63J-181X	MG RESISTOR		
	R 527	NRSA63J-181X	MG RESISTOR		
	R 528	NRSA63J-181X	MG RESISTOR		
	R 529	NRSA63J-181X	MG RESISTOR		
	R 530	NRSA63J-181X	MG RESISTOR		
	R 531	NRSA63J-330X	MG RESISTOR		
	R 532	NRSA63J-0R0X	MG RESISTOR		
	R 533	NRSA63J-330X	MG RESISTOR		
	R 534	NRSA63J-330X	MG RESISTOR		
	R 535	NRSA63J-330X	MG RESISTOR		
	R 536	NRSA63J-330X	MG RESISTOR		
	R 537	NRSA63J-330X	MG RESISTOR		
	R 538	NRSA63J-330X	MG RESISTOR		
	R 539	NRSA63J-330X	MG RESISTOR		
	R 540	NRSA63J-330X	MG RESISTOR		
	R 541	NRSA63J-0R0X	MG RESISTOR		
	R 542	NRSA63J-0R0X	MG RESISTOR		
	R 543	NRSA63J-0R0X	MG RESISTOR		
	R 544	NRSA63J-0R0X	MG RESISTOR		
	R 545	NRSA63J-472X	MG RESISTOR		
	R 546	NRSA63J-332X	MG RESISTOR		
	R 547	NRSA63J-222X	MG RESISTOR		
	R 548	NRSA63J-332X	MG RESISTOR		
	R 550	NRSA63J-0R0X	MG RESISTOR		1U,EG,EN,ES
	R 564	NRVA63D-152X	MG RESISTOR		
	R 565	NRVA63D-332X	MF RESISTOR		

△	Item	Parts number	Parts name	Remarks	Area
	R 571	NRSA63J-100X	MG RESISTOR		
	R 572	NRSA63J-181X	MG RESISTOR		
	R 573	NRSA63J-181X	MG RESISTOR		
	R 574	NRSA63J-181X	MG RESISTOR		
	R 575	NRSA63J-181X	MG RESISTOR		
	R 576	NRSA63J-181X	MG RESISTOR		
	R 577	NRSA63J-181X	MG RESISTOR		
	R 578	NRSA63J-181X	MG RESISTOR		
	R 579	NRSA63J-181X	MG RESISTOR		
	R 580	NRSA63J-181X	MG RESISTOR		
	R 581	NRSA63J-101X	MG RESISTOR		
	R 582	NRSA63J-0R0X	MG RESISTOR		
	R 586	NRVA63D-122X	MG RESISTOR		
	R 587	NRVA63D-122X	MG RESISTOR		
	R 588	NRVA63D-102X	CMF RESISTOR		
	R 589	NRVA63D-102X	CMF RESISTOR		
	R 591	NRSA63J-471X	MG RESISTOR		UF
	R 592	NRSA63J-471X	MG RESISTOR		UF
	X 371	NAX0277-002X	CRYSTAL		
	X 401	NAX0331-001X	C RESONATOR		

■ Electrical parts list (KARAOKE board)

Block No. 06

△	Item	Parts number	Parts name	Remarks	Area
	C 851	QCB11HK-331Y	C CAPACITOR	330PF 10% 50V	UF
	C 852	QCB11HK-331Y	C CAPACITOR	330PF 10% 50V	UF
	C 853	QETN1HM-105Z	E CAPACITOR	1.0MF 20% 50V	UF
	C 854	QETN1HM-105Z	E CAPACITOR	1.0MF 20% 50V	UF
	C 855	QCB11HK-561Y	C CAPACITOR	560PF 10% 50V	UF
	C 856	QCB11HK-561Y	C CAPACITOR	560PF 10% 50V	UF
	C 857	QCS11HJ-220	C CAPACITOR	22PF 5% 50V	UF
	C 858	QCS11HJ-220	C CAPACITOR	22PF 5% 50V	UF
	C 859	QETN1HM-474Z	E CAPACITOR	.47MF 20% 50V	UF
	C 860	QETN1HM-474Z	E CAPACITOR	.47MF 20% 50V	UF
	C 861	QFLM1HJ-104Z	M CAPACITOR	.10MF 5% 50V	UF
	C 862	QFLM1HJ-104Z	M CAPACITOR	.10MF 5% 50V	UF
	C 863	QETN1CM-107Z	E CAPACITOR	100MF 20% 16V	UF
	C 864	QETN1CM-107Z	E CAPACITOR	100MF 20% 16V	UF
	C 865	QDX31EM-473Z	C.CAPACITOR		UF
	C 871	QK11HK-105Z	E.CAPACITOR	1.0MF 20% 50V	UF
	C 872	QCB11HK-101Y	C CAPACITOR	100PF 10% 50V	UF
	C 873	QCB11HK-820Y	C CAPACITOR	82PF 10% 50V	UF
	C 875	QFLM1HJ-473Z	M CAPACITOR	.047MF 5% 50V	UF
	C 876	QFLM1HJ-473Z	M CAPACITOR	.047MF 5% 50V	UF
	C 877	QK11CM-107Z	E.CAPACITOR	100MF 20% 16V	UF
	C 878	QK11CM-107Z	E.CAPACITOR	100MF 20% 16V	UF
	FW851	QUM155-13Z4Z4	PARA RIBON WIRE	TO FW871	UF
	FW872	QUM154-22DGZ4	PARA RIBON WIRE	TO CN981	UF
	FW881	QUM153-22DGZ4	PARA RIBON WIRE	TO CN712	UF
	IC851	NJM4580L	IC		UF
	IC871	NJM4580L	IC		UF
	J 851	QNS0156-001	6.3 JACK	MIC1	UF
	J 852	QNS0157-001	6.3 JACK	MIC2	UF
	R 851	QRE141J-473Y	C RESISTOR	47K 5% 1/4W	UF
	R 852	QRE141J-473Y	C RESISTOR	47K 5% 1/4W	UF
	R 853	QRE141J-103Y	C RESISTOR	10K 5% 1/4W	UF
	R 854	QRE141J-103Y	C RESISTOR	10K 5% 1/4W	UF
	R 855	QRE141J-102Y	C RESISTOR	1.0K 5% 1/4W	UF
	R 856	QRE141J-102Y	C RESISTOR	1.0K 5% 1/4W	UF
	R 857	QRE141J-182Y	C RESISTOR	1.8K 5% 1/4W	UF
	R 858	QRE141J-182Y	C RESISTOR	1.8K 5% 1/4W	UF
	R 859	QRE141J-223Y	C RESISTOR	22K 5% 1/4W	UF
	R 860	QRE141J-223Y	C RESISTOR	22K 5% 1/4W	UF
	R 861	QRE141J-221Y	C RESISTOR	220 5% 1/4W	UF
	R 862	QRE141J-221Y	C RESISTOR	220 5% 1/4W	UF
	R 871	QRE141J-471Y	C RESISTOR	470 5% 1/4W	UF
	R 872	QRE141J-471Y	C RESISTOR	470 5% 1/4W	UF
	R 873	QRE141J-682Y	C RESISTOR	6.8K 5% 1/4W	UF
	R 874	QRE141J-682Y	C RESISTOR	6.8K 5% 1/4W	UF
	R 875	QRE141J-563Y	C RESISTOR	56K 5% 1/4W	UF
	R 877	QRE141J-221Y	C RESISTOR	220 5% 1/4W	UF
	R 878	QRE141J-221Y	C RESISTOR	220 5% 1/4W	UF
	R 881	QRE141J-431Y	C RESISTOR	430 5% 1/4W	UF
	R 882	QRE141J-681Y	C RESISTOR	680 5% 1/4W	UF
	R 883	QRE141J-112Y	C RESISTOR	1.1K 5% 1/4W	UF
	R 884	QRE141J-222Y	C RESISTOR	2.2K 5% 1/4W	UF
	R 886	QRE141J-431Y	C RESISTOR	430 5% 1/4W	UF
	R 887	QRE141J-681Y	C RESISTOR	680 5% 1/4W	UF
	R 888	QRE141J-112Y	C RESISTOR	1.1K 5% 1/4W	UF
	R 889	QRE141J-222Y	C RESISTOR	2.2K 5% 1/4W	UF
	R 890	QRE141J-682Y	C RESISTOR	6.8K 5% 1/4W	UF
	S 881	QSW0683-001Z	PUSH SW I.M		UF
	S 882	QSW0683-001Z	PUSH SW I.M		UF
	S 883	QSW0683-001Z	PUSH SW I.M		UF
	S 884	QSW0683-001Z	PUSH SW I.M		UF
	S 885	QSW0683-001Z	PUSH SW I.M		UF
	S 886	QSW0683-001Z	PUSH SW I.M		UF
	S 887	QSW0683-001Z	PUSH SW I.M		UF

△	Item	Parts number	Parts name	Remarks	Area
	S 888	QSW0683-001Z	PUSH SW I.M		UF
	S 889	QSW0683-001Z	PUSH SW I.M		UF
	S 890	QSW0683-001Z	PUSH SW I.M		UF
	S 891	QSW0683-001Z	PUSH SW I.M		UF
	VR871	QVQ0006-B14	SEMI.V.RESISTOR		UF
	VR872	QVQ0006-B14	SEMI.V.RESISTOR		UF

Electrical parts list (Main board : XV-M567GD)

Block No. 01

Item	Parts number	Parts name	Remarks	Area
C 601	QCS11HJ-181	C CAPACITOR	180PF 5% 50V	*1,A
C 601	QCS31HJ-391Z	C CAPACITOR	390PF 5% 50V	*2
C 603	QCS11HJ-680	C CAPACITOR	68PF 5% 50V	*1,A
C 604	QCS11HJ-150	C CAPACITOR	15PF 5% 50V	*1,A
C 609	QETN0JM-477Z	E CAPACITOR	470MF 20% 6.3V	*1,A
C 611	QCS11HJ-181	C CAPACITOR	180PF 5% 50V	*1,A
C 611	QCS31HJ-391Z	C CAPACITOR	390PF 5% 50V	*2
C 613	QCS11HJ-680	C CAPACITOR	68PF 5% 50V	*1,A
C 614	QCS11HJ-150	C CAPACITOR	15PF 5% 50V	*1,A
C 619	QETN0JM-477Z	E CAPACITOR	470MF 20% 6.3V	*1,A
C 621	QCS11HJ-121	C CAPACITOR	120PF 5% 50V	
C 623	QCS11HJ-470	C CAPACITOR	47PF 5% 50V	
C 624	QCS11HJ-100	C CAPACITOR	10PF 5% 50V	
C 629	QETN0JM-477Z	E CAPACITOR	470MF 20% 6.3V	
C 631	QCS11HJ-121	C CAPACITOR	120PF 5% 50V	
C 633	QCS11HJ-470	C CAPACITOR	47PF 5% 50V	
C 634	QCS11HJ-100	C CAPACITOR	10PF 5% 50V	
C 639	NCB21EK-104X	C CAPACITOR		
C 641	QCS11HJ-121	C CAPACITOR	120PF 5% 50V	
C 643	QCS11HJ-470	C CAPACITOR	47PF 5% 50V	
C 644	QCS11HJ-100	C CAPACITOR	10PF 5% 50V	
C 649	QETN0JM-477Z	E CAPACITOR	470MF 20% 6.3V	
C 659	QETN0JM-477Z	E CAPACITOR	470MF 20% 6.3V	*1,A
C 685	NCS21HJ-471X	C CAPACITOR		*2
C 686	NCS21HJ-471X	C CAPACITOR		*2
C 694	QETN0JM-477Z	E CAPACITOR	470MF 20% 6.3V	*2
C 695	NCB21EK-104X	C CAPACITOR		*2
C 701	QETN1HM-105Z	E CAPACITOR	1.0MF 20% 50V	
C 702	NCB21EK-104X	C CAPACITOR		
C 703	QETN1CM-226Z	E CAPACITOR	22MF 20% 16V	
C 704	NCB21EK-104X	C CAPACITOR		
C 705	NCB21EK-104X	C CAPACITOR		
C 706	QFV1HJ-104Z	MF CAPACITOR	.10MF 5% 50V	
C 707	QETN0JM-107Z	E CAPACITOR	100MF 20% 6.3V	
C 709	NCS21HJ-331X	C CAPACITOR		
C 710	QETN1AM-477Z	E CAPACITOR	470MF 20% 10V	
C 711	QCZ0205-155Z	ML C CAPACITOR	1.5MF	
C 712	QETN0JM-477Z	E CAPACITOR	470MF 20% 6.3V	
C 713	QCS11HJ-471	C CAPACITOR	470PF 5% 50V	
C 714	QETN0JM-477Z	E CAPACITOR	470MF 20% 6.3V	
C 715	QCZ0205-155Z	ML C CAPACITOR	1.5MF	
C 716	QETN0JM-477Z	E CAPACITOR	470MF 20% 6.3V	
C 717	QCZ0205-155Z	ML C CAPACITOR	1.5MF	
C 718	QETN0JM-477Z	E CAPACITOR	470MF 20% 6.3V	
C 719	NCS21HJ-101X	C CAPACITOR		*1,A
C 720	NCB21EK-104X	C CAPACITOR		
C 721	QCZ0205-155Z	ML C CAPACITOR	1.5MF	
C 722	QCF11HZ-473	C CAPACITOR	.047MF +80-20%	
C 724	QCF11HZ-103	C CAPACITOR	.010MF +80-20%	
C 725	QETN1CM-477Z	E CAPACITOR	470MF 20% 16V	
C 726	QETN1CM-227Z	E CAPACITOR	220MF 20% 16V	
C 727	QETN1AM-227Z	E CAPACITOR	220MF 20% 10V	
C 728	QETN1AM-107Z	E CAPACITOR	100MF 20% 10V	
C 730	QFV1HJ-474Z	MF CAPACITOR	.47MF 5% 50V	
C 731	QDYB1CM-103Y	C.CAPACITOR		
C 732	QDGB1HK-102Y	C CAPACITOR		
C 733	QDGB1HK-102Y	C CAPACITOR		
C 734	QDX31EM-473Z	C.CAPACITOR		
C 735	NCB21EK-104X	C CAPACITOR		
C 736	NCB21EK-104X	C CAPACITOR		
C 737	QETN1EM-476Z	E CAPACITOR	47MF 20% 25V	*2
C 738	QETN1EM-476Z	E CAPACITOR	47MF 20% 25V	*2
C 739	QFN31HJ-472Z	M CAPACITOR	4700PF 5% 50V	*1
C 740	QFLC1HJ-152Z	M CAPACITOR	1500PF 5% 50V	

Item	Parts number	Parts name	Remarks	Area
C 741	QFLC1HJ-181Z	M.CAPACITOR	180PF 5% 50V	
C 742	QFN31HJ-333Z	M.CAPACITOR	.033MF 5% 50V	
C 743	QFLC1HJ-152Z	M CAPACITOR	1500PF 5% 50V	
C 744	QFLC1HJ-182Z	M CAPACITOR	1800PF 5% 50V	
C 745	QFN31HJ-103Z	M CAPACITOR	.010MF 5% 50V	
C 746	QETN1EM-476Z	E CAPACITOR	47MF 20% 25V	
C 747	QFLC1HJ-471Z	M.CAPACITOR	470PF 5% 50V	*1
C 747	QFLC1HJ-152Z	M CAPACITOR	1500PF 5% 50V	*2,A
C 749	QFN31HJ-472Z	M CAPACITOR	4700PF 5% 50V	*1
C 750	QFLC1HJ-152Z	M CAPACITOR	1500PF 5% 50V	
C 751	QFLC1HJ-181Z	M.CAPACITOR	180PF 5% 50V	
C 752	QFN31HJ-333Z	M.CAPACITOR	.033MF 5% 50V	
C 753	QFLC1HJ-152Z	M CAPACITOR	1500PF 5% 50V	
C 754	QFLC1HJ-182Z	M CAPACITOR	1800PF 5% 50V	
C 755	QFN31HJ-103Z	M CAPACITOR	.010MF 5% 50V	
C 756	QETN1EM-476Z	E CAPACITOR	47MF 20% 25V	
C 757	QFLC1HJ-471Z	M.CAPACITOR	470PF 5% 50V	*1
C 757	QFLC1HJ-152Z	M CAPACITOR	1500PF 5% 50V	*2,A
C 761	QETN1CM-107Z	E CAPACITOR	100MF 20% 16V	
C 762	QETN1CM-107Z	E CAPACITOR	100MF 20% 16V	
C 771	QETN1CM-107Z	E CAPACITOR	100MF 20% 16V	
C 772	QETN1CM-107Z	E CAPACITOR	100MF 20% 16V	
C 797	NCB21HK-103X	C CAPACITOR		*1
C 799	NCB21HK-103X	C CAPACITOR		
C 801	NCB21EK-104X	C CAPACITOR		
C 802	QEK1AM-476Z	E.CAPACITOR	47MF 20% 10V	
C 811	NCB21EK-104X	C CAPACITOR		
C 812	QEK0JM-476Z	E.CAPACITOR	47MF 20% 6.3V	
C 813	NCB21EK-104X	C CAPACITOR		
C 814	NCS21HJ-220X	C CAPACITOR		
C 821	QEK1HM-475Z	E.CAPACITOR	4.7MF 20% 50V	
C 902	QFZ9067-683	C CAPACITOR	.068MF	
C 906	QCZ9079-102	C CAPACITOR	1000PF	
C 907	QE0445-127	E.CAPACITOR	120MF	*1
C 907	QE0374-826	E.CAPACITOR	82MF	*2,A
C 908	QCZ0136-332Z	C CAPACITOR	3300PF	
C 909	QCZ0136-101Z	C CAPACITOR	100PF	
C 910	QCS11HJ-221	C CAPACITOR	220PF 5% 50V	
C 913	QCZ0136-101Z	C CAPACITOR	100PF	
C 914	QEMX1EM-396Z	E CAPACITOR	39MF 20% 25V	
C 915	QCB1HK-471Y	C CAPACITOR	470PF 10% 50V	
C 916	QCZ9079-332	C CAPACITOR	3300PF	
C 917	QCZ0205-155Z	ML C CAPACITOR	1.5MF	
C 918	QCFB1HZ-104Y	C CAPACITOR	.10MF +80-20%	
C 931	QCZ0205-155Z	ML C CAPACITOR	1.5MF	
C 932	QCS11HJ-101	C CAPACITOR	100PF 5% 50V	*1
C 951	QCS11HJ-101	C CAPACITOR	100PF 5% 50V	
C 952	QCS11HJ-101	C CAPACITOR	100PF 5% 50V	
C 953	QCS11HJ-101	C CAPACITOR	100PF 5% 50V	
C 954	QCS11HJ-101	C CAPACITOR	100PF 5% 50V	
C 956	QCS11HJ-101	C CAPACITOR	100PF 5% 50V	
C 957	QCS11HJ-101	C CAPACITOR	100PF 5% 50V	
C 960	QEMX1AM-826Z	E CAPACITOR	82MF 20% 10V	
C 961	QCZ0205-155Z	ML C CAPACITOR	1.5MF	
C 962	QETN1HM-226Z	E CAPACITOR	22MF 20% 50V	
C 963	QEMX1HM-396Z	E CAPACITOR	39MF 20% 50V	
C 964	QETN1HM-226Z	E CAPACITOR	22MF 20% 50V	
C 965	QEMW1AM-108	E CAPACITOR	1000MF 20% 10V	3U,UF
C 965	QEMV1AM-108	E CAPACITOR	1000MF 20% 10V	*2,4U,A,US
C 966	QETN1AM-477Z	E CAPACITOR	470MF 20% 10V	
C 967	QFV1HJ-104Z	MF CAPACITOR	.10MF 5% 50V	
C 968	QFV1HJ-104Z	MF CAPACITOR	.10MF 5% 50V	
C 969	QETN1AM-227Z	E CAPACITOR	220MF 20% 10V	
C 970	QFV1HJ-104Z	MF CAPACITOR	.10MF 5% 50V	

*1:3U,4U,UF,US *2:B,EG,EN,ES

■ Electrical parts list (Main board : XV-M567GD) Block No. 01

△	Item	Parts number	Parts name	Remarks	Area	△	Item	Parts number	Parts name	Remarks	Area
	C 973	QETN1AM-107Z	E CAPACITOR	100MF 20% 10V			D 832	1SS133-T2	SI DIODE		
	C 974	QETN1AM-107Z	E CAPACITOR	100MF 20% 10V			D 833	1SS133-T2	SI DIODE		
	C 976	QFVJ1HJ-104Z	MF CAPACITOR	.10MF 5% 50V			△ D 901	S1WB/A/60-4101	BRIDGE DIODE		
	C 977	QFVJ1HJ-104Z	MF CAPACITOR	.10MF 5% 50V			△ D 902	ERA18-04-T1	FR DIODE		
	C 978	QETN1AM-107Z	E CAPACITOR	100MF 20% 10V			△ D 903	ERA18-04-T1	FR DIODE		
	C 979	QEMW1CM-827	E CAPACITOR	820MF 20% 16V	3U,UF		△ D 904	ERA18-04-T1	FR DIODE		
	C 979	QEMV1CM-827	E CAPACITOR	820MF 20% 16V	*2,4U,A,US		△ D 908	ERA18-04-T1	FR DIODE		
	C 981	QCZ0205-155Z	ML C CAPACITOR	1.5MF			△ D 910	ERA18-04-T1	FR DIODE		
	C 982	QEMW1EM-567	E CAPACITOR	560MF 20% 25V	3U,UF		D 911	1SS133-T2	SI DIODE		
	C 982	QEMV1EM-567	E CAPACITOR	560MF 20% 25V	*2,4U,A,US		D 950	MTZJ22C-T2	ZENER DIODE		
	C 984	QETN1EM-227Z	E CAPACITOR	220MF 20% 25V			△ D 951	ERA18-04-T1	FR DIODE		
	C 987	QEMX1EM-187Z	E CAPACITOR	180MF 20% 25V			△ D 952	ERA18-04-T1	FR DIODE		
	C 989	QETN1EM-107Z	E CAPACITOR	100MF 20% 25V			△ D 953	FMB-24	FUSEIODE		
	C 992	QETN1HM-474Z	E CAPACITOR	.47MF 20% 50V			△ D 954	ERA18-04-T1	FR DIODE		
	C 993	QCS11HJ-101	C CAPACITOR	100PF 5% 50V			△ D 956	ERA18-04-T1	FR DIODE		
	C 994	QDVB1EZ-223Y	C CAPACITOR				△ D 957	ERA18-04-T1	FR DIODE		
	C 995	QETN1CM-227Z	E CAPACITOR	220MF 20% 16V			D 960	MTZJ2.0A-T2	ZENER DIODE		
	C 996	QETN1CM-226Z	E CAPACITOR	22MF 20% 16V			D 970	1SS133-T2	SI DIODE		
	C 997	QETN1CM-227Z	E CAPACITOR	220MF 20% 16V			D 971	1SR35-100A-T5	SI DIODE		
	C1701	QETN1EM-476Z	E CAPACITOR	47MF 20% 25V			D 972	1SS133-T2	SI DIODE		
	C1702	QETN1EM-476Z	E CAPACITOR	47MF 20% 25V			D 973	1SS133-T2	SI DIODE		
	C1703	NCS21HJ-151X	C CAPACITOR				D 974	1SS133-T2	SI DIODE		
	C1704	NCS21HJ-221X	C CAPACITOR				D 991	MTZJ5.1A-T2	ZENER DIODE		
	C1705	NCS21HJ-221X	C CAPACITOR				D1801	QLF0064-001	FL TUBE		
	CN601	QGF1016F1-09	CONNECTOR				EP711	QNZ0136-001Z	EARTH PLATE		
	CN701	QGF1016C1-23	CONNECTOR				EP951	QNZ0136-001Z	EARTH PLATE		
	CN702	QGF1205C1-10	CONNECTOR				FC901	QNG0003-001Z	FUSE CLIP		
	CN703	QGF1205C1-09	CONNECTOR				FC902	QNG0003-001Z	FUSE CLIP		
	CN704	QGD2501C1-03Z	SOCKET				FL901	E67132-T1R6	T1R6 FUSE LABEL		*1,*2
	CN705	QGD2501C1-03Z	SOCKET		*2		FL901	E67132-TR80	FUSE LABEL		A
	CN712	QGD2501C1-03Z	SOCKET		*1		FW601	QUM103-10DGZ4	PARA RIBON WIRE	TO CN704	3U
	CN801	QGF1210G1-09	CONNECTOR				FW601	QUM133-10DGZ4	PARA RIBON WIRE	TO CN704	*2,4U,A,US
	CN951	QGD2501C1-04Z	SOCKET				FW601	QUM153-10DGZ4	F.WIRE	TO CN704	UF
	CN952	QGD2501C1-04Z	SOCKET				FW602	QUM024-26Z3Z3	PARA RIBON WIRE	TO FW705	*2
	CN961	QGA2001C1-09	9P PLUG ASSY				FW603	QUM133-12DGZ4	PARA RIBON WIRE	TO CN705	*2
	CN971	QGD2501C1-03Z	SOCKET				FW701	QUM108-26DGZ4	PARA RIBON WIRE	TO CN951&CN952	3U
	CN972	QGD2501C1-03Z	SOCKET				FW701	QUM138-26DGZ4	PARA RIBON WIRE	TO CN951&CN952	*2,4U,A,US
	CN981	QGD2501C1-04Z	SOCKET		*1		FW701	QUM158-26DGZ4	PARA RIBON WIRE	TO CN951&CN952	UF
△	CP951	ICP-N10-T	ICP				FW801	QUM106-16DGZ4	PARA RIBON WIRE	TO CN971&CN972	3U
△	CP952	ICP-N5-T	ICP				FW801	QUM136-16DGZ4	PARA RIBON WIRE	TO CN971&CN972	*2,4U,A,US
	D 609	1SS133-T2	SI DIODE		*1,A		FW801	QUM156-16DGZ4	PARA RIBON WIRE	TO CN971&CN972	UF
	D 619	1SS133-T2	SI DIODE		*1,A		FW802	QUM103-15Z4Z4	PARA RIBON WIRE	TO FW841(SHUT)	3U
	D 629	1SS133-T2	SI DIODE				FW802	QUM133-15Z4Z4	PARA RIBON WIRE	TO FW841(SHUT)	*2,4U,A,US
	D 639	1SS133-T2	SI DIODE				FW802	QUM153-15Z4Z4	PARA RIBON WIRE	TO FW841(SHUT)	UF
	D 649	1SS133-T2	SI DIODE				HS901	E70306-002	HEAT SINK	IC901-c	
	D 701	1SS133-T2	SI DIODE				HS964	LE40505-001A	HEAT SINK		
	D 702	MTZJ3.3B-T2	ZENER DIODE IM				IC701	MN101C12GHC	IC	#300 MADE	
	D 709	1SS133-T2	SI DIODE				IC702	IC-PST9140-T	IC		
	D 731	KV1555N-T	VARI CAPACITOR				IC703	MN35503-X	IC		
	D 732	KV1555N-T	VARI CAPACITOR				IC704	TC7S08F-W	IC		
	D 733	MTZJ5.1C-T2	ZENER DIODE				△ IC711	BA41W12ST-V5	IC		
	D 791	1SS133-T2	SI DIODE				IC741	NJM4580M-X	IC		
	D 792	1SS133-T2	SI DIODE				IC751	NJM4580M-X	IC		
	D 801	SLR-342VC-T	LED	STANDBY			IC791	AK93C45AF-W	IC		
	D 811	SLR-342MC-T	LED		*1		IC801	GP1U271X	RM RECIVER		
	D 812	SLR-342MC-T	LED		*1		IC802	M35500BGP	FL DRIVER		
	D 813	SLR-342MC-T	LED		*1		△ IC901	STR-G6651	IC		
	D 814	SLR-342MC-T	LED		*1		IC951	PQ05RD21	IC		
	D 815	SLR-342MC-T	LED		*1		△ IC953	NJM78M05FA	IC		
	D 816	SLR-342MC-T	LED		*1		J 601	QNN0317-001	PIN JACK	COMPONENT	*1,A
	D 821	SLR-342MC-T	LED				J 602	QNZ0430-001	AV JACK	S-OUT&VIDEO	*1,A
	D 822	SLR-342MC-T	LED				J 691	QNZ0099-001	RGB CONNECTOR		*2
	D 823	SLR-342MC-T	LED				J 692	QNZ0430-001	AV JACK	S-OUT&VIDEO	*2
	D 831	1SS133-T2	SI DIODE				J 701	QNN0170-002	PIN JACK	AUDIO OUT	

*1:3U,4U,UF,US *2:B,EG,EN,ES

Electrical parts list (Main board : XV-M567GD) Block No. 01

Item	Parts number	Parts name	Remarks	Area
J 702	QNS0083-001	3.5 JACK	AV COMPULINK	
J 703	GP1FA550TZ	OPT TRANSMITTER	OPT DIGITAL OUT	
J 704	QNN0347-001	PIN JACK	COAXIAL	
K 601	QQR0601-001Z	FERRITE BEADS		
K 603	QQR0601-001Z	FERRITE BEADS		
K 701	NQR0227-004X	FERRITE BEADS		
K 702	NQR0227-004X	FERRITE BEADS		
K 703	NQR0227-004X	FERRITE BEADS		
K 704	NQR0227-004X	FERRITE BEADS		
K 706	NQR0227-004X	FERRITE BEADS		
K 708	NQR0227-004X	FERRITE BEADS		
K 951	QQR0601-001Z	FERRITE BEADS		*1
K 952	QQR0601-001Z	FERRITE BEADS		*1
K 953	QQR0601-001Z	FERRITE BEADS		*1
K 954	QQR0601-001Z	FERRITE BEADS		*1
L 601	QQL071J-120Y	INDUCTOR		*1,A
L 602	QQL071J-5R6Y	INDUCTOR		*1,A
L 611	QQL071J-120Y	INDUCTOR		*1,A
L 612	QQL071J-5R6Y	INDUCTOR		*1,A
L 621	QQL071J-120Y	INDUCTOR		*1,A
L 622	QQL071J-5R6Y	INDUCTOR		
L 631	QQL071J-120Y	INDUCTOR		
L 632	QQL071J-5R6Y	INDUCTOR		
L 641	QQL071J-120Y	INDUCTOR		
L 642	QQL071J-5R6Y	INDUCTOR		
L 709	QQL071J-2R2Y	INDUCTOR		
L 731	QQL071J-1R2Y	INDUCTOR		
L 901	QQR0894-001	LINE FILTER		
L 951	QQL01BK-R22Z	P COIL		
L 952	QQL31AK-101Z	INDUCTOR		
L 955	QQL31AK-101Z	INDUCTOR		
L 957	QQL31AK-101Z	INDUCTOR		
L 959	QQL31AK-101Z	INDUCTOR		
P 901	QNC0006-001	AC SOCKET		
PC901	PC123F	IC(PHOTO COUPLE		3U,UF
PC901	PC123FY	IC(PHOTO COUPLE		*2,4U,A,US
PC902	PC123F	IC(PHOTO COUPLE		3U,UF
PC902	PC123FY	IC(PHOTO COUPLE		*2,4U,A,US
Q 601	2SA1175/FE-T	TRANSISTOR		*1,A
Q 611	2SA1175/FE-T	TRANSISTOR		*1,A
Q 621	2SA1175/FE-T	TRANSISTOR		
Q 631	2SA1175/FE-T	TRANSISTOR		
Q 641	2SA1175/FE-T	TRANSISTOR		
Q 691	DTC114EKA-X	TR		*2
Q 692	DTC114EKA-X	TR		*2
Q 694	2SC3576-JVC-T	TRANSISTOR I/M		*2
Q 695	2SC3576-JVC-T	TRANSISTOR I/M		*2
Q 709	DTC114YKA-X	CHIP D.TRANSIST		
Q 711	DTA114EKA-X	DIGITAL.TRANSIS		
Q 741	2SC3576-JVC-T	TRANSISTOR I/M	FREQ	
Q 742	DTC114TSA-T	D.TRANSISTOR	ATT	*1
Q 743	2SC3576-JVC-T	TRANSISTOR I/M	AMUTE1	
Q 751	2SC3576-JVC-T	TRANSISTOR I/M	FREQ	
Q 752	DTC114TSA-T	D.TRANSISTOR	ATT	*1
Q 753	2SC3576-JVC-T	TRANSISTOR I/M	AMUTE1	
Q 755	DTA144EKA-X	TRANSISTOR		*1
Q 791	DTA114EKA-X	DIGITAL.TRANSIS		
Q 821	DTC124EKA-X	TRANSISTOR		
Q 822	DTC124EKA-X	TRANSISTOR		
Q 823	DTC124EKA-X	TRANSISTOR		
Q 951	2SC2060/QRV-T	TRANSISTOR		
Q 952	DTA144EKA-X	TRANSISTOR		
Q 953	2SA1175/FE-T	TRANSISTOR		
Q 964	2SB1565/EF/	TRANSISTOR		

Item	Parts number	Parts name	Remarks	Area
Q 965	2SC2785/FE-T	TRANSISTOR		
Q 966	2SA1175/FE-T	TRANSISTOR		
Q 991	2SC2785/FE-T	TRANSISTOR		
R 601	NRSA02J-270X	MG RESISTOR		*1,A
R 601	NRSA02J-101X	MG RESISTOR		*2
R 602	NRSA02J-391X	MG RESISTOR		*1,A
R 602	NRSA02J-101X	MG RESISTOR		*2
R 603	NRSA02J-270X	MG RESISTOR		*1,A
R 604	NRSA02J-391X	MG RESISTOR		*1,A
R 605	NRSA02J-221X	MG RESISTOR		*1,A
R 606	QRE141J-102Y	C RESISTOR	1.0K 5% 1/4W	*1,A
R 609	NRSA02J-750X	MG RESISTOR		*1,A
R 611	NRSA02J-270X	MG RESISTOR		*1,A
R 611	NRSA02J-101X	MG RESISTOR		*2
R 612	NRSA02J-391X	MG RESISTOR		*1,A
R 612	NRSA02J-101X	MG RESISTOR		*2
R 613	NRSA02J-270X	MG RESISTOR		*1,A
R 614	NRSA02J-391X	MG RESISTOR		*1,A
R 615	NRSA02J-221X	MG RESISTOR		*1,A
R 616	QRE141J-102Y	C RESISTOR	1.0K 5% 1/4W	*1,A
R 619	NRSA02J-750X	MG RESISTOR		*1,A
R 621	NRSA02J-751X	MG RESISTOR		
R 622	NRSA02J-751X	MG RESISTOR		
R 623	NRSA02J-751X	MG RESISTOR		
R 624	NRSA02J-751X	MG RESISTOR		
R 625	NRSA02J-221X	MG RESISTOR		
R 629	NRSA02J-750X	MG RESISTOR		
R 631	NRSA02J-680X	MG RESISTOR		
R 632	NRSA02J-391X	MG RESISTOR		
R 633	NRSA02J-680X	MG RESISTOR		
R 634	NRSA02J-391X	MG RESISTOR		
R 635	NRSA02J-221X	MG RESISTOR		
R 636	QRE141J-102Y	C RESISTOR	1.0K 5% 1/4W	
R 639	NRSA02J-750X	MG RESISTOR		
R 641	NRSA02J-751X	MG RESISTOR		
R 642	NRSA02J-751X	MG RESISTOR		
R 643	NRSA02J-751X	MG RESISTOR		
R 644	NRSA02J-751X	MG RESISTOR		
R 645	NRSA02J-221X	MG RESISTOR		
R 649	NRSA02J-750X	MG RESISTOR		
R 650	QRE141J-561Y	C RESISTOR	560 5% 1/4W	
R 651	QRE141J-102Y	C RESISTOR	1.0K 5% 1/4W	*1,A
R 651	QRE141J-561Y	C RESISTOR	560 5% 1/4W	*2
R 659	NRSA02J-750X	MG RESISTOR		*1,A
R 685	NRSA02J-151X	MG RESISTOR		*2
R 686	NRSA02J-151X	MG RESISTOR		*2
R 687	NRSA02J-103X	MG RESISTOR		*2
R 688	NRSA02J-103X	MG RESISTOR		*2
R 694	NRSA02J-750X	MG RESISTOR		*2
R 695	NRSA02J-750X	MG RESISTOR		*2
R 696	NRSA02J-102X	MG RESISTOR		*2
R 697	NRSA02J-821X	MG RESISTOR		*2
R 698	NRSA02J-123X	MG RESISTOR		*2
R 701	NRSA02J-102X	MG RESISTOR		
R 702	NRSA02J-472X	MG RESISTOR		
R 703	NRSA02J-105X	MG RESISTOR		
R 704	NRSA02J-102X	MG RESISTOR		
R 705	NRSA02J-2R2X	MG RESISTOR		
R 706	NRSA02J-104X	MG RESISTOR		
R 708	NRSA02J-101X	MG RESISTOR		
R 709	NRSA02J-103X	MG RESISTOR		
R 711	NRSA02J-560X	MG RESISTOR		
R 712	NRSA02J-560X	MG RESISTOR		
R 713	NRSA02J-560X	MG RESISTOR		

*1:3U,4U,UF,US *2:B,EG,EN,ES

■ Electrical parts list (Main board : XV-M567GD)

Block No. 01

△	Item	Parts number	Parts name	Remarks	Area	△	Item	Parts number	Parts name	Remarks	Area
	R 714	NRSA02J-152X	MG RESISTOR				R 775	NRSA02J-561X	MG RESISTOR		*2,A
	R 715	NRSA02J-560X	MG RESISTOR				R 776	NRSA02J-273X	MG RESISTOR		
	R 716	NRSA02J-152X	MG RESISTOR				R 777	NRSA02J-151X	MG RESISTOR		
	R 717	NRSA02J-101X	MG RESISTOR				R 778	NRSA02J-103X	MG RESISTOR		
	R 718	NRSA02J-0R0X	MG RESISTOR				R 780	NRSA02J-112X	MG RESISTOR		*2
	R 719	NRSA02J-0R0X	MG RESISTOR				R 781	NRSA02J-112X	MG RESISTOR		*2
	R 720	NRSA02J-0R0X	MG RESISTOR				R 782	NRSA02J-221X	MG RESISTOR		
	R 721	NRSA02J-471X	MG RESISTOR				R 783	NRSA02J-221X	MG RESISTOR		
	R 722	NRSA02J-471X	MG RESISTOR				R 784	NRSA02J-112X	MG RESISTOR		*1
	R 723	NRSA02J-471X	MG RESISTOR				R 786	NRSA02J-333X	MG RESISTOR		
	R 724	NRSA02J-471X	MG RESISTOR				R 787	NRSA02J-333X	MG RESISTOR		*1
	R 725	NRSA02J-511X	MG RESISTOR				R 788	NRSA02J-222X	MG RESISTOR		
	R 726	NRSA02J-471X	MG RESISTOR				R 789	NRSA02J-222X	MG RESISTOR		
	R 727	NRSA02J-102X	MG RESISTOR				R 790	NRSA02J-112X	MG RESISTOR		*2
	R 728	NRSA02J-471X	MG RESISTOR				R 791	NRSA02J-112X	MG RESISTOR		*2
	R 729	NRSA02J-471X	MG RESISTOR				R 792	NRSA02J-221X	MG RESISTOR		
	R 730	NRSA02J-333X	MG RESISTOR				R 793	NRSA02J-221X	MG RESISTOR		
	R 731	NRSA02J-102X	MG RESISTOR				R 794	NRSA02J-112X	MG RESISTOR		*1
	R 732	NRSA02J-333X	MG RESISTOR				R 795	NRSA02J-472X	MG RESISTOR		
	R 733	NRSA02J-104X	MG RESISTOR				R 796	NRSA02J-472X	MG RESISTOR		
	R 734	NRSA02J-333X	MG RESISTOR				R 797	NRSA02J-473X	MG RESISTOR		
	R 735	NRSA02J-104X	MG RESISTOR				R 798	NRSA02J-473X	MG RESISTOR		
	R 736	NRSA02J-181X	MG RESISTOR				R 799	NRSA02J-473X	MG RESISTOR		*1
	R 737	NRSA02J-104X	MG RESISTOR				R 801	NRSA02J-222X	MG RESISTOR		
	R 738	NRSA02J-153X	MG RESISTOR				R 802	NRSA02J-222X	MG RESISTOR		
	R 739	NRSA02J-102X	MG RESISTOR				R 803	NRSA02J-222X	MG RESISTOR		
	R 740	QRE141J-243Y	C RESISTOR	24K 5% 1/4W			R 804	NRSA02J-222X	MG RESISTOR		
	R 741	QRE141J-243Y	C RESISTOR	24K 5% 1/4W			R 805	NRSA02J-222X	MG RESISTOR		
	R 742	QRE141J-163Y	C RESISTOR	16K 5% 1/4W			R 806	NRSA02J-102X	MG RESISTOR		
	R 743	QRE141J-163Y	C RESISTOR	16K 5% 1/4W			R 807	NRSA02J-102X	MG RESISTOR		
	R 744	NRSA02J-682X	MG RESISTOR				R 808	NRSA02J-102X	MG RESISTOR		
	R 745	QRE141J-183Y	C RESISTOR	18K 5% 1/4W			R 809	NRSA02J-102X	MG RESISTOR		
	R 746	NRSA02J-821X	MG RESISTOR				R 810	NRSA02J-102X	MG RESISTOR		
	R 747	NRSA02J-362X	MG RESISTOR				R 811	NRSA02J-102X	MG RESISTOR		
	R 748	NRSA02J-561X	MG RESISTOR				R 812	NRSA02J-102X	MG RESISTOR		
	R 749	NRSA02J-103X	MG RESISTOR				R 813	NRSA02J-102X	MG RESISTOR		
	R 750	QRE141J-243Y	C RESISTOR	24K 5% 1/4W			R 821	NRSA02J-102X	MG RESISTOR		
	R 751	QRE141J-243Y	C RESISTOR	24K 5% 1/4W			R 822	NRSA02J-820X	MG RESISTOR		*1
	R 752	QRE141J-163Y	C RESISTOR	16K 5% 1/4W			R 823	NRSA02J-820X	MG RESISTOR		*1
	R 753	QRE141J-163Y	C RESISTOR	16K 5% 1/4W			R 824	NRSA02J-820X	MG RESISTOR		*1
	R 754	NRSA02J-682X	MG RESISTOR				R 825	NRSA02J-271X	MG RESISTOR		
	R 755	QRE141J-183Y	C RESISTOR	18K 5% 1/4W			R 826	NRSA02J-271X	MG RESISTOR		
	R 756	NRSA02J-821X	MG RESISTOR				R 827	NRSA02J-271X	MG RESISTOR		
	R 757	NRSA02J-362X	MG RESISTOR				R 830	NRSA02J-431X	MG RESISTOR		
	R 758	NRSA02J-561X	MG RESISTOR				R 831	NRSA02J-681X	MG RESISTOR		
	R 759	NRSA02J-103X	MG RESISTOR				R 832	NRSA02J-112X	MG RESISTOR		
	R 760	NRSA02J-105X	MG RESISTOR				R 833	NRSA02J-222X	MG RESISTOR		
	R 761	NRSA02J-561X	MG RESISTOR				R 840	NRSA02J-431X	MG RESISTOR		
	R 762	NRSA02J-562X	MG RESISTOR		*1		R 841	NRSA02J-681X	MG RESISTOR		
	R 762	NRSA02J-821X	MG RESISTOR		*2,A		R 842	NRSA02J-112X	MG RESISTOR		
	R 763	NRSA02J-222X	MG RESISTOR		*1		R 843	NRSA02J-222X	MG RESISTOR		
	R 764	NRSA02J-183X	MG RESISTOR				R 844	NRSA02J-682X	MG RESISTOR		
	R 765	NRSA02J-112X	MG RESISTOR		*1		R 845	NRSA02J-431X	MG RESISTOR		
	R 765	NRSA02J-561X	MG RESISTOR		*2,A		R 846	NRSA02J-681X	MG RESISTOR		
	R 766	NRSA02J-273X	MG RESISTOR				R 847	NRSA02J-112X	MG RESISTOR		
	R 767	NRSA02J-151X	MG RESISTOR				R 848	NRSA02J-222X	MG RESISTOR		
	R 768	NRSA02J-103X	MG RESISTOR				R 849	NRSA02J-682X	MG RESISTOR		
	R 770	NRSA02J-105X	MG RESISTOR				R 900	NRSA02J-221X	MG RESISTOR		
	R 771	NRSA02J-561X	MG RESISTOR				R 901	QRL01DJ-683X	OMF RESISTOR	68K 5% 1/1W	
	R 772	NRSA02J-562X	MG RESISTOR		*1		R 903	QRE141J-270Y	C RESISTOR	27 5% 1/4W	
	R 772	NRSA02J-821X	MG RESISTOR		*2,A		R 904	QRE141J-222Y	C RESISTOR	2.2K 5% 1/4W	
	R 773	NRSA02J-222X	MG RESISTOR		*1		R 905	QRL027J-683	OMF RESISTOR	68K 5% 1/2W	
	R 774	NRSA02J-183X	MG RESISTOR				R 906	QRE141J-681Y	C RESISTOR	680 5% 1/4W	
	R 775	NRSA02J-112X	MG RESISTOR		*1		R 907	QRT022J-R47	OMF RESISTOR	5% 1/2W	

*1:3U,4U,UF,US *2:B,EG,EN,ES

■ Electrical parts list (Main board : XV-M567GD)

Block No. 01

■ Electrical parts list (Traverse mechanism control board : XV-M567GD)

Block No. 02

△	Item	Parts number	Parts name	Remarks	Area
	R 908	QRE141J-332Y	C RESISTOR	3.3K 5% 1/4W	
	R 910	QRE141J-754Y	C RESISTOR	750K 5% 1/4W	
	R 911	QRE141J-754Y	C RESISTOR	750K 5% 1/4W	
	R 952	NRSA02J-103X	MG RESISTOR		
	R 953	NRSA02J-103X	MG RESISTOR		
△	R 954	QRZ9006-4R7X	F RESISTOR	4.7 1/0W	
	R 955	NRSA02J-223X	MG RESISTOR		
	R 956	QRE141J-100Y	C RESISTOR	10 5% 1/4W	
	R 960	NRSA02J-101X	MG RESISTOR		
	R 961	NRSA02J-681X	MG RESISTOR		
	R 964	NRSA02J-105X	MG RESISTOR		
	R 965	NRSA02J-103X	MG RESISTOR		
	R 969	NRSA02J-221X	MG RESISTOR		
	R 971	NRSA02J-472X	MG RESISTOR		
	R 972	NRSA02J-152X	MG RESISTOR		
	R 973	NRSA02J-102X	MG RESISTOR		
	R 974	NRSA02J-562X	MG RESISTOR		
	R 975	NRSA02J-562X	MG RESISTOR		
	R 976	NRSA02J-221X	MG RESISTOR		
	R 980	NRSA02J-272X	MG RESISTOR		
	R1704	NRSA02J-103X	MG RESISTOR		
	R1707	NRSA02J-222X	MG RESISTOR		
	R1708	NRSA02J-222X	MG RESISTOR		
	R1709	NRSA02J-102X	MG RESISTOR		
	R1710	NRSA02J-102X	MG RESISTOR		
	R1711	NRSA02J-102X	MG RESISTOR		
	R1712	NRSA02J-331X	MG RESISTOR		
	R1713	NRSA02J-101X	MG RESISTOR		
	R1714	NRSA02J-472X	MG RESISTOR		
	R1716	NRSA02J-102X	MG RESISTOR		
	R1717	QRE141J-102Y	C RESISTOR	1.0K 5% 1/4W	*1
	R1721	NRSA02J-331X	MG RESISTOR		
	R1722	NRSA02J-750X	MG RESISTOR		
	R1723	NRSA02J-270X	MG RESISTOR		
	R1724	NRSA02J-101X	MG RESISTOR	TO C708	
	S 691	QSW0454-001	SW	COMP/S	*2
	S 701	QSW0454-001	SW	NTSC/PAL	*1,A
	S 702	QSW0454-001	SW	ATT ON/OFF	*1
	S 801	QSW0683-001Z	PUSH SW I.M		
	S 811	QSW0683-001Z	PUSH SW I.M		
	S 812	QSW0683-001Z	PUSH SW I.M		
	S 813	QSW0683-001Z	PUSH SW I.M		
	S 814	QSW0683-001Z	PUSH SW I.M		
	S 815	QSW0683-001Z	PUSH SW I.M		
	S 821	QSW0683-001Z	PUSH SW I.M		
	S 822	QSW0683-001Z	PUSH SW I.M		
	S 823	QSW0683-001Z	PUSH SW I.M		
	S 824	QSW0683-001Z	PUSH SW I.M		
	S 825	QSW0683-001Z	PUSH SW I.M		
	S 826	QSW0683-001Z	PUSH SW I.M		
	S 831	QSW0683-001Z	PUSH SW I.M		
	S 832	QSW0683-001Z	PUSH SW I.M		
	S 833	QSW0683-001Z	PUSH SW I.M		
	S 834	QSW0683-001Z	PUSH SW I.M		
	S 835	QSW0683-001Z	PUSH SW I.M		
	S 836	QSW0683-001Z	PUSH SW I.M		
	S 841	QVQ0123-B15	SHUTTLE VR		
	SP701	VYH7653-001	IC HOLDER	FOR IC701	
	SP802	VYH7653-002	IC HOLDER	FOR IC802	
	T 701	QQR0880-001	PULSE TRANS		
△	T 901	QQS0028-001	SW TRANSF		
	X 701	QAX0356-001Z	RESONATOR		

△	Item	Parts number	Parts name	Remarks	Area
	C 101	NCB31CK-104X	C CAPACITOR		
	C 102	NEA70JM-476X	E.CAPACITOR		
	C 103	NCB31CK-104X	C CAPACITOR		
	C 104	NCS31HJ-560X	C CAPACITOR		
	C 105	NCS31HJ-101X	C.CAPACITOR		
	C 106	NEA71CM-106X	E.CAPACITOR		
	C 107	NCB31CK-104X	C CAPACITOR		
	C 108	NCB31CK-104X	C CAPACITOR		
	C 109	NCB31CK-104X	C CAPACITOR		
	C 110	NCS31HJ-101X	C.CAPACITOR		
	C 111	NCB21CK-184X	C CAPACITOR		
	C 112	NCB31CK-104X	C CAPACITOR		
	C 113	NCB31CK-104X	C CAPACITOR		
	C 114	NCB31CK-104X	C CAPACITOR		
	C 115	NCB31HK-392X	C CAPACITOR		
	C 116	NCB31CK-104X	C CAPACITOR		
	C 117	NCB11CK-105X	C CAPACITOR		
	C 118	NEX40JM-336X	E CAPACITOR		
	C 119	NCB31CK-104X	C CAPACITOR		
	C 120	NCB31CK-104X	C CAPACITOR		
	C 121	NCB21CK-334X	C CAPACITOR		
	C 122	NCS31HJ-121X	C CAPACITOR		
	C 123	NCB31CK-104X	C CAPACITOR		
	C 124	NCB31CK-104X	C CAPACITOR		
	C 125	NCB31CK-104X	C CAPACITOR		
	C 126	NCS31HJ-221X	C CAPACITOR		
	C 127	NCS31HJ-221X	C CAPACITOR		
	C 128	NCB31CK-104X	C CAPACITOR		
	C 129	NCB21CK-224X	C CAPACITOR		
	C 130	NCB31HK-102X	C CAPACITOR		
	C 131	NCB31HK-681X	C CAPACITOR		
	C 132	NCB31CK-104X	C CAPACITOR		
	C 133	NEX40JM-566X	E CAPACITOR		
	C 134	NCB11CK-105X	C CAPACITOR		
	C 135	NCS31HJ-221X	C CAPACITOR		
	C 136	NCB31CK-104X	C CAPACITOR		
	C 137	NCB31CK-104X	C CAPACITOR		
	C 138	NCB31CK-104X	C CAPACITOR		
	C 139	NCB31CK-104X	C CAPACITOR		
	C 140	NCB31CK-104X	C CAPACITOR		
	C 141	NCS31HJ-820X	C CAPACITOR		
	C 142	NCB31HK-222X	C CAPACITOR		
	C 143	NCB21CK-224X	C CAPACITOR		
	C 144	NCB31CK-104X	C CAPACITOR		
	C 145	NCB11CK-105X	C CAPACITOR		
	C 151	NEX40JM-156X	E.CAPACITOR		
	C 152	NEX40JM-156X	E.CAPACITOR		
	C 153	NCB31CK-104X	C CAPACITOR		
	C 154	NCB31CK-104X	C CAPACITOR		
	C 191	NCB31CK-104X	C CAPACITOR		
	C 192	NEA70JM-107X	E.CAPACITOR		
	C 201	NCB31CK-104X	C CAPACITOR		
	C 202	NCB31CK-393X	C CAPACITOR		
	C 203	NCB31CK-393X	C CAPACITOR		
	C 204	NCB31CK-393X	C CAPACITOR		
	C 205	NCB31CK-393X	C CAPACITOR		
	C 206	NCB31CK-104X	C CAPACITOR		
	C 208	NCB31CK-104X	C CAPACITOR		
	C 209	NCB31CK-104X	C CAPACITOR		
	C 210	NCB31CK-104X	C CAPACITOR		
	C 211	NCB31CK-104X	C CAPACITOR		
	C 212	NCB31CK-104X	C CAPACITOR		
	C 213	NCB31CK-104X	C CAPACITOR		
	C 214	NCB31CK-104X	C CAPACITOR		

■ Electrical parts list (Traverse mechanism control board : XV-M567GD)

Block No. 02

△	Item	Parts number	Parts name	Remarks	Area	△	Item	Parts number	Parts name	Remarks	Area
	C 215	NCB31HK-392X	C CAPACITOR				C 374	NCB31CK-104X	C CAPACITOR		
	C 217	NCB31HK-821X	C CAPACITOR				C 376	NCB31CK-104X	C CAPACITOR		
	C 218	NCB31HK-331X	C CAPACITOR				C 391	NCB31CK-104X	C CAPACITOR		
	C 219	NCB31HK-471X	C CAPACITOR				C 392	NEA70JM-226X	E CAPACITOR		
	C 221	NCB31HK-271X	C CAPACITOR				C 401	NCB31CK-104X	C CAPACITOR		
	C 222	NCB31HK-821X	C CAPACITOR				C 402	NCB31CK-104X	C CAPACITOR		
	C 223	NCB31HK-821X	C CAPACITOR				C 403	NEA70JM-226X	E CAPACITOR		
	C 224	NEA70JM-226X	E CAPACITOR				C 404	NCB31CK-104X	C CAPACITOR		
	C 225	NCB11CK-105X	C CAPACITOR				C 405	NCB31CK-104X	C CAPACITOR		
	C 226	NCB31CK-104X	C CAPACITOR				C 406	NCB31CK-104X	C CAPACITOR		
	C 227	NCB31CK-104X	C CAPACITOR				C 407	NCB31CK-104X	C CAPACITOR		
	C 228	NEA70JM-107X	E.CAPACITOR				C 408	NEA70JM-226X	E CAPACITOR		
	C 229	NCB11CK-105X	C CAPACITOR				C 409	NCB31CK-104X	C CAPACITOR		
	C 230	NCB31CK-104X	C CAPACITOR				C 411	NCB31CK-104X	C CAPACITOR		
	C 231	NCB31CK-104X	C CAPACITOR				C 412	NCB31CK-104X	C CAPACITOR		
	C 232	NCB31CK-104X	C CAPACITOR				C 441	NCB31CK-104X	C CAPACITOR		
	C 233	NCS31HJ-330X	C CAPACITOR				C 442	NEX40JM-156X	E.CAPACITOR		
	C 234	NCB31HK-331X	C CAPACITOR				C 452	NCB31CK-104X	C CAPACITOR		
	C 235	NCB31CK-104X	C CAPACITOR				C 501	NCB31CK-104X	C CAPACITOR		
	C 236	NCB31CK-823X	C CAPACITOR				C 502	NCB31CK-104X	C CAPACITOR		
	C 237	NCB31CK-823X	C CAPACITOR				C 503	NCB31CK-104X	C CAPACITOR		
	C 241	NCB31CK-104X	C CAPACITOR				C 504	NCB31CK-104X	C CAPACITOR		
	C 242	NEA70JM-107X	E.CAPACITOR				C 505	NCB31CK-104X	C CAPACITOR		
	C 262	NCB31EK-332X	C CAPACITOR				C 506	NCB31CK-104X	C CAPACITOR		
	C 271	NCB31CK-104X	C CAPACITOR				C 507	NCB31CK-104X	C CAPACITOR		
	C 273	NCB31HK-102X	C CAPACITOR				C 508	NCB31CK-104X	C CAPACITOR		
	C 275	NCB31HK-102X	C CAPACITOR				C 509	NCB31CK-104X	C CAPACITOR		
	C 276	NCB31CK-104X	C CAPACITOR				C 510	NCB31CK-104X	C CAPACITOR		
	C 281	NEA70JM-226X	E CAPACITOR				C 511	NCB31CK-104X	C CAPACITOR		
	C 282	NCB31CK-104X	C CAPACITOR				C 512	NCB31CK-104X	C CAPACITOR		
	C 284	NCB31HK-102X	C CAPACITOR				C 513	NCB31CK-104X	C CAPACITOR		
	C 286	NCB31HK-102X	C CAPACITOR				C 514	NCB31CK-104X	C CAPACITOR		
	C 287	NCB31CK-104X	C CAPACITOR				C 515	NCB31CK-104X	C CAPACITOR		
	C 288	NEA71CM-226X	E.CAPAP. C.M				C 516	NCB31CK-104X	C CAPACITOR		
	C 290	NCB31CK-104X	C CAPACITOR				C 517	NCB31CK-104X	C CAPACITOR		
	C 301	NCB31CK-104X	C CAPACITOR				C 518	NCB31CK-104X	C CAPACITOR		
	C 302	NCB31CK-104X	C CAPACITOR				C 519	NCB31CK-104X	C CAPACITOR		
	C 303	NCB31CK-104X	C CAPACITOR				C 520	NCB31CK-104X	C CAPACITOR		
	C 304	NCB31CK-104X	C CAPACITOR				C 521	NCB31CK-104X	C CAPACITOR		
	C 305	NCB31CK-104X	C CAPACITOR				C 522	NCB31CK-104X	C CAPACITOR		
	C 306	NCB31CK-104X	C CAPACITOR				C 523	NCB31CK-104X	C CAPACITOR		
	C 307	NCB31CK-104X	C CAPACITOR				C 524	NCB31CK-104X	C CAPACITOR		
	C 308	NCB31CK-103X	C CAPACITOR				C 525	NCB31CK-104X	C CAPACITOR		
	C 309	NCB31CK-104X	C CAPACITOR				C 526	NCB31CK-104X	C CAPACITOR		
	C 310	NCB31CK-104X	C CAPACITOR				C 527	NCB31CK-104X	C CAPACITOR		
	C 311	NCB31CK-104X	C CAPACITOR				C 528	NCB31CK-104X	C CAPACITOR		
	C 314	NCB31CK-104X	C CAPACITOR				C 529	NCB31CK-104X	C CAPACITOR		
	C 315	NCB31CK-104X	C CAPACITOR				C 530	NEA70JM-107X	E.CAPACITOR		
	C 316	NEA70JM-107X	E.CAPACITOR				C 531	NCB31CK-104X	C CAPACITOR		
	C 317	NCB11CK-105X	C CAPACITOR				C 532	NCB31CK-104X	C CAPACITOR		
	C 318	NCB31CK-104X	C CAPACITOR				C 533	NCB31CK-104X	C CAPACITOR		
	C 319	NCB31CK-104X	C CAPACITOR				C 534	NEA70JM-107X	E.CAPACITOR		
	C 320	NCB31CK-104X	C CAPACITOR				C 535	NCB31CK-104X	C CAPACITOR		
	C 321	NCB31CK-104X	C CAPACITOR				C 536	NCB31CK-103X	C CAPACITOR		
	C 322	NEA70JM-107X	E.CAPACITOR				C 537	NEA70JM-226X	E CAPACITOR		
	C 323	NCB11CK-105X	C CAPACITOR				C 538	NCB31CK-104X	C CAPACITOR		
	C 324	NCB31CK-104X	C CAPACITOR				C 539	NCB31CK-104X	C CAPACITOR		
	C 341	NCB31CK-104X	C CAPACITOR				C 540	NEA70JM-226X	E CAPACITOR		
	C 342	NCB31CK-104X	C CAPACITOR				C 541	NCB31CK-104X	C CAPACITOR		
	C 343	NCB31CK-104X	C CAPACITOR				C 542	NEA70JM-226X	E CAPACITOR		
	C 344	NCB31CK-104X	C CAPACITOR				C 543	NCB31CK-104X	C CAPACITOR		
	C 371	NCS31HJ-100X	C CAPACITOR				C 546	NEA71CM-106X	E.CAPACITOR		*1
	C 372	NCS31HJ-100X	C CAPACITOR				C 547	NCB31CK-104X	C CAPACITOR		*1
	C 373	NCB31CK-104X	C CAPACITOR				C 550	NEA71CM-106X	E.CAPACITOR		*1

*1:3U,4U,UF,US *2:B,EG,EN,ES

■ Electrical parts list (Traverse mechanism control board : XV-M567GD) Block No. 02

△	Item	Parts number	Parts name	Remarks	Area	△	Item	Parts number	Parts name	Remarks	Area
	C 556	NEA70JM-107X	E.CAPACITOR				K 156	NQR0007-002X	FERRITE BEADS		
	C 557	NCB31CK-104X	C CAPACITOR				K 157	NQR0007-002X	FERRITE BEADS		
	C 561	NCB31CK-104X	C CAPACITOR				K 158	NQR0007-002X	FERRITE BEADS		
	C 562	NEA70JM-226X	E CAPACITOR				K 159	NQR0007-002X	FERRITE BEADS		
	C 563	NCB31CK-104X	C CAPACITOR				K 160	NQR0007-002X	FERRITE BEADS		
	C 564	NCB31CK-104X	C CAPACITOR				K 201	NQR0007-002X	FERRITE BEADS		
	C 565	NCB31CK-104X	C CAPACITOR				K 202	NQR0007-002X	FERRITE BEADS		
	C 566	NCB31CK-104X	C CAPACITOR				K 271	NQR0007-002X	FERRITE BEADS		
	C 567	NEA70JM-226X	E CAPACITOR				K 301	NQR0007-002X	FERRITE BEADS		
	C 568	NCB31CK-104X	C CAPACITOR				K 302	NQR0007-002X	FERRITE BEADS		
	C 569	NEA70JM-226X	E CAPACITOR				K 371	NQR0007-002X	FERRITE BEADS		
	C 570	NCB31CK-104X	C CAPACITOR				K 401	NQR0007-002X	FERRITE BEADS		
	C 589	NEA71EM-475X	E.CAPACITOR.		*1		K 402	NQR0007-002X	FERRITE BEADS		
	C 590	NEA71EM-475X	E.CAPACITOR.		*1		K 501	NQR0007-002X	FERRITE BEADS		
	C 591	NCB31HK-222X	C CAPACITOR		*1		K 502	NQR0007-002X	FERRITE BEADS		
	C 592	NCB31HK-222X	C CAPACITOR		*1		K 503	NQR0007-002X	FERRITE BEADS		
	C 593	NCB31CK-104X	C CAPACITOR		*1		K 504	NQR0201-001X	FERRITE BEADS		
	C 594	NEA71EM-475X	E.CAPACITOR.		*1		K 505	NQR0269-001X	FERRITE BEADS		
	C 595	NCB31CK-104X	C CAPACITOR		*1		K 506	NQR0007-002X	FERRITE BEADS		
	C 596	NEA71EM-475X	E.CAPACITOR.		*1		K 511	NQR0007-002X	FERRITE BEADS		*1
	C 599	NCB31CK-104X	C CAPACITOR		*1		K 550	NQR0007-002X	FERRITE BEADS		
	CN101	QGF1016F2-19W	CONNECTOR	MECHA			K 551	NQR0007-002X	FERRITE BEADS		
	CN102	QGF1016C2-11W	CONNECTOR	SP&STP			K 553	NQR0007-002X	FERRITE BEADS		
	CN501	QGA2001F2-09X	CONNECTOR	POWER			K 554	NQR0007-002X	FERRITE BEADS		
	CN502	QGF1016F2-23W	CONNECTOR	SYSTEM			K 555	NQR0007-002X	FERRITE BEADS		
	CN503	QGF1016F2-09W	CONNECTOR C.M	VIDEO			K 556	NQR0007-002X	FERRITE BEADS		
	D 201	1SS355-X	DIODE				K 557	NQR0007-002X	FERRITE BEADS		
	D 272	DAN202K-X	D.TRANSISTOR				K 558	NQR0007-002X	FERRITE BEADS		
	D 511	1SS355-X	DIODE		*1		K 559	NQR0007-002X	FERRITE BEADS		
	D 512	1SS355-X	DIODE		*1		K 561	NQR0007-002X	FERRITE BEADS		
	D 513	1SS355-X	DIODE		*1		K 562	NQR0007-002X	FERRITE BEADS		
	D 514	1SS355-X	DIODE		*1		K 563	NQR0007-002X	FERRITE BEADS		
	D 551	1SS355-X	DIODE				K 564	NQR0007-002X	FERRITE BEADS		
	D 552	1SS355-X	DIODE				K 565	NQR0007-002X	FERRITE BEADS		
	IC101	AN8706FHQ	IC				K 566	NQR0007-002X	FERRITE BEADS		
	IC102	RN5RZ20BA-X	IC				K 567	NQR0007-002X	FERRITE BEADS		
	IC201	MN67705EA	IC				K 568	NQR0007-002X	FERRITE BEADS		
	IC271	M56788FP-W	IC				K 569	NQR0007-002X	FERRITE BEADS		
	IC301	MN103007BGA	IC				K 570	NQR0007-002X	FERRITE BEADS		
	IC311	TC7SH08FU-X	IC				K 571	NQR0007-002X	FERRITE BEADS		
	IC312	TC7SH32FU-X	IC				K 572	NQR0007-002X	FERRITE BEADS		
	IC321	TC7WH74FU-X	IC				K 574	NQR0007-002X	FERRITE BEADS		
	IC322	TC74VHC00FT-X	IC				K 575	NQR0007-002X	FERRITE BEADS		
	IC371	TC7SHU04FU-X	IC(DIGITAL)				K 576	NQR0007-002X	FERRITE BEADS		
	IC372	TC7SHU04FU-X	IC(DIGITAL)				K 577	NQR0007-002X	FERRITE BEADS		
	IC374	TC7WH74FU-X	IC				K 578	NQR0007-002X	FERRITE BEADS		
	IC401	MN102L25GHB	IC C.M				K 579	NQR0007-002X	FERRITE BEADS		
	IC402	MSM531622F77G-X	IC C.M		*1,A		K 580	NQR0007-002X	FERRITE BEADS		
	IC402	MSM531622F76G-X	IC C.M		*2		K 581	NQR0007-002X	FERRITE BEADS		
	IC403	AK93C65AF-X	IC				L 191	NQL044K-100X	INDUCTOR		
	IC452	TC7WT125FU-X	IC(DIGITAL)				L 241	NQL044K-100X	INDUCTOR		
	IC501	ZIVA3-PE0	IC				Q 101	2SB1424/QR-X	TRANSISTOR		
	IC502	NAX0265-001X	IC	27MHZ			Q 102	DTC124EE-X	DIGI TRANSISTOR		
	IC503	TC74VHC00FT-X	IC				Q 103	DTA124EE-X	DIGI TRANSISTOR		
	IC504	HY57Y161610DTC8	IC	HYUNDAI	3U		Q 104	DTC124EE-X	DIGI TRANSISTOR		
	IC504	K4S161622D-TC80	IC	SAMSUNG	*2,4U,A,UF,US		Q 105	DTC144EE-X	TRANSISTOR		
	IC505	HY57Y161610DTC8	IC	HYUNDAI	3U		Q 251	DTC144EE-X	TRANSISTOR		
	IC505	K4S161622D-TC80	IC	SAMSUNG	*2,4U,A,UF,US		Q 252	DTA144EE-X	DIGI TRANSISTOR		
	IC511	AK5353VT-X	IC		*1		Q 254	DTC144EE-X	TRANSISTOR		
	IC554	MC44724AVFU	IC				R 101	NRS125J-270X	MG RESISTOR		
	K 101	NQR0007-002X	FERRITE BEADS				R 102	NRS125J-2R2X	MG RESISTOR		
	K 102	NQR0007-002X	FERRITE BEADS				R 103	NRSA63J-123X	MG RESISTOR		
	K 103	NQR0007-002X	FERRITE BEADS				R 104	NRSA63J-103X	MG RESISTOR		
	K 155	NQR0007-002X	FERRITE BEADS				R 106	NRSA63J-223X	MG RESISTOR		

*1:3U,4U,UF,US *2:B,EG,EN,ES

■ Electrical parts list (Traverse mechanism control board : XV-M567GD)

Block No. 02

△	Item	Parts number	Parts name	Remarks	Area	△	Item	Parts number	Parts name	Remarks	Area
	R 108	NRSA63J-103X	MG RESISTOR				R 243	NRSA63J-472X	MG RESISTOR		
	R 109	NRSA63J-823X	MG RESISTOR				R 244	NRSA63J-102X	MG RESISTOR		
	R 110	NRSA63J-393X	MG RESISTOR				R 245	NRVA63D-123X	MG RESISTOR		
	R 112	NRVA63D-123X	MG RESISTOR				R 247	NRVA63D-123X	MG RESISTOR		
	R 113	NRSA63J-393X	MG RESISTOR				R 249	NRSA63J-102X	MG RESISTOR		
	R 114	NRSA63J-272X	MG RESISTOR				R 251	NRVA63D-123X	MG RESISTOR		
	R 115	NRSA63J-223X	MG RESISTOR				R 252	NRVA63D-123X	MG RESISTOR		
	R 116	NRSA63J-103X	MG RESISTOR				R 253	NRVA63D-123X	MG RESISTOR		
	R 117	NRSA63J-223X	MG RESISTOR				R 254	NRVA63D-123X	MG RESISTOR		
	R 118	NRSA63J-153X	MG RESISTOR				R 257	NRSA63J-103X	MG RESISTOR		
	R 119	NRSA63J-155X	MG RESISTOR				R 266	NRSA63J-223X	MG RESISTOR		
	R 120	NRVA63D-332X	MF RESISTOR				R 268	NRSA63J-563X	MG RESISTOR		
	R 121	NRSA63J-474X	MG RESISTOR				R 269	NRSA63J-0R0X	MG RESISTOR		
	R 122	NRSA63J-474X	MG RESISTOR				R 270	NRSA63J-393X	MG RESISTOR		
	R 123	NRSA63J-822X	MG RESISTOR				R 271	NRSA63J-243X	MG RESISTOR		
	R 124	NRSA63J-183X	MG RESISTOR				R 272	NRSA63J-103X	MG RESISTOR		
	R 125	NRSA63J-154X	MG RESISTOR				R 273	NRSA63J-103X	MG RESISTOR		
	R 126	NRSA63J-564X	MG RESISTOR				R 275	NRSA63J-243X	MG RESISTOR		
	R 127	NRSA63J-123X	MG RESISTOR				R 276	NRSA63J-103X	MG RESISTOR		
	R 128	NRSA63J-223X	MG RESISTOR				R 277	NRSA63J-103X	MG RESISTOR		
	R 129	NRSA63J-103X	MG RESISTOR				R 278	NRSA63J-223X	MG RESISTOR		
	R 130	NRSA63J-822X	MG RESISTOR				R 279	NRSA63J-223X	MG RESISTOR		
	R 131	NRSA63J-0R0X	MG RESISTOR				R 282	NRSA63J-223X	MG RESISTOR		
	R 201	NRSA63J-102X	MG RESISTOR				R 283	NRSA63J-103X	MG RESISTOR		
	R 202	NRSA63J-102X	MG RESISTOR				R 284	NRSA63J-103X	MG RESISTOR		
	R 203	NRSA63J-102X	MG RESISTOR				R 285	NRSA63J-0R0X	MG RESISTOR		
	R 204	NRSA63J-102X	MG RESISTOR				R 286	NRSA63J-223X	MG RESISTOR		
	R 205	NRSA63J-473X	MG RESISTOR				R 287	NRSA63J-103X	MG RESISTOR		
	R 206	NRSA63J-103X	MG RESISTOR				R 288	NRSA63J-103X	MG RESISTOR		
	R 207	NRSA63J-473X	MG RESISTOR				R 290	NRSA63J-0R0X	MG RESISTOR		
	R 209	NRSA63J-473X	MG RESISTOR				R 301	NRSA63J-473X	MG RESISTOR		
	R 210	NRSA63J-473X	MG RESISTOR				R 302	NRSA63J-473X	MG RESISTOR		
	R 211	NRSA63J-102X	MG RESISTOR				R 303	NRSA63J-473X	MG RESISTOR		
	R 212	NRSA63J-102X	MG RESISTOR				R 304	NRSA63J-473X	MG RESISTOR		
	R 213	NRSA63J-183X	MG RESISTOR				R 305	NRSA63J-473X	MG RESISTOR		
	R 214	NRSA63J-822X	MG RESISTOR				R 306	NRSA63J-473X	MG RESISTOR		
	R 215	NRSA63J-473X	MG RESISTOR				R 307	NRSA63J-473X	MG RESISTOR		
	R 216	NRSA63J-473X	MG RESISTOR				R 308	NRSA63J-473X	MG RESISTOR		
	R 217	NRSA63J-0R0X	MG RESISTOR				R 310	NRSA63J-102X	MG RESISTOR		
	R 218	NRSA63J-0R0X	MG RESISTOR				R 311	NRSA63J-102X	MG RESISTOR		
	R 219	NRSA63J-0R0X	MG RESISTOR				R 312	NRSA63J-102X	MG RESISTOR		
	R 220	NRSA63J-472X	MG RESISTOR				R 313	NRSA63J-0R0X	MG RESISTOR		
	R 221	NRSA63J-0R0X	MG RESISTOR				R 314	NRSA63J-0R0X	MG RESISTOR		
	R 222	NRSA63J-0R0X	MG RESISTOR				R 315	NRSA63J-0R0X	MG RESISTOR		
	R 223	NRSA63J-0R0X	MG RESISTOR				R 317	NRSA63J-473X	MG RESISTOR		
	R 224	NRSA63J-0R0X	MG RESISTOR				R 318	NRSA63J-0R0X	MG RESISTOR		
	R 225	NRSA63J-0R0X	MG RESISTOR				R 319	NRSA63J-0R0X	MG RESISTOR		
	R 226	NRSA63J-0R0X	MG RESISTOR				R 322	NRSA63J-473X	MG RESISTOR		
	R 227	NRSA63J-0R0X	MG RESISTOR				R 324	NRSA63J-473X	MG RESISTOR		
	R 228	NRSA63J-103X	MG RESISTOR				R 328	NRSA63J-473X	MG RESISTOR		
	R 229	NRSA63J-0R0X	MG RESISTOR				R 342	NRSA63J-0R0X	MG RESISTOR		
	R 230	NRSA63J-103X	MG RESISTOR				R 343	NRSA63J-102X	MG RESISTOR		
	R 231	NRVA63D-683X	MF RESISTOR				R 371	NRSA63J-105X	MG RESISTOR		
	R 232	NRVA63D-683X	MF RESISTOR				R 372	NRSA63J-101X	MG RESISTOR		
	R 233	NRSA63J-103X	MG RESISTOR				R 373	NRSA63J-0R0X	MG RESISTOR		
	R 234	NRSA63J-103X	MG RESISTOR				R 403	NRSA63J-472X	MG RESISTOR		
	R 235	NRSA63J-473X	MG RESISTOR				R 405	NRSA63J-472X	MG RESISTOR		
	R 236	NRSA63J-123X	MG RESISTOR				R 408	NRSA63J-472X	MG RESISTOR		
	R 237	NRSA63J-0R0X	MG RESISTOR				R 410	NRSA63J-0R0X	MG RESISTOR		
	R 238	NRSA63J-223X	MG RESISTOR				R 411	NRSA63J-472X	MG RESISTOR		
	R 239	NRSA63J-333X	MG RESISTOR				R 412	NRSA63J-103X	MG RESISTOR		
	R 240	NRSA63J-333X	MG RESISTOR				R 413	NRSA63J-472X	MG RESISTOR		
	R 241	NRVA63D-362X	MG RESISTOR				R 414	NRSA63J-472X	MG RESISTOR		
	R 242	NRSA63J-102X	MG RESISTOR				R 415	NRSA63J-472X	MG RESISTOR		

*1:3U,4U,UF,US *2:B,EG,EN,ES

■ Electrical parts list (Traverse mechanism control board : XV-M567GD)

Block No. 02

△	Item	Parts number	Parts name	Remarks	Area
	R 416	NRSA63J-472X	MG RESISTOR		
	R 418	NRSA63J-472X	MG RESISTOR		
	R 420	NRSA63J-0R0X	MG RESISTOR		
	R 421	NRSA63J-0R0X	MG RESISTOR		3U,UF,US
	R 422	NRSA63J-0R0X	MG RESISTOR		4U,UF
	R 423	NRSA63J-0R0X	MG RESISTOR		*2,4U,A
	R 424	NRSA63J-0R0X	MG RESISTOR		*2,3U,US
	R 426	NRSA63J-0R0X	MG RESISTOR		*1
	R 431	NRSA63J-472X	MG RESISTOR		
	R 432	NRSA63J-472X	MG RESISTOR		
	R 461	NRSA63J-0R0X	MG RESISTOR		
	R 462	NRSA63J-0R0X	MG RESISTOR		
	R 501	NRSA63J-102X	MG RESISTOR		
	R 502	NRSA63J-222X	MG RESISTOR		
	R 503	NRSA63J-103X	MG RESISTOR		
	R 504	NRSA63J-330X	MG RESISTOR		
	R 505	NRSA63J-330X	MG RESISTOR		
	R 506	NRSA63J-330X	MG RESISTOR		
	R 507	NRSA63J-330X	MG RESISTOR		
	R 508	NRSA63J-330X	MG RESISTOR		
	R 509	NRSA63J-330X	MG RESISTOR		
	R 510	NRSA63J-330X	MG RESISTOR		
	R 511	NRSA63J-330X	MG RESISTOR		
	R 512	NRSA63J-330X	MG RESISTOR		
	R 513	NRSA63J-330X	MG RESISTOR		
	R 514	NRSA63J-330X	MG RESISTOR		
	R 515	NRSA63J-330X	MG RESISTOR		
	R 516	NRSA63J-330X	MG RESISTOR		
	R 517	NRSA63J-330X	MG RESISTOR		
	R 518	NRSA63J-330X	MG RESISTOR		
	R 519	NRSA63J-330X	MG RESISTOR		
	R 520	NRSA63J-330X	MG RESISTOR		
	R 521	NRSA63J-330X	MG RESISTOR		
	R 522	NRSA63J-330X	MG RESISTOR		
	R 523	NRSA63J-181X	MG RESISTOR		
	R 524	NRSA63J-181X	MG RESISTOR		
	R 525	NRSA63J-181X	MG RESISTOR		
	R 526	NRSA63J-181X	MG RESISTOR		
	R 527	NRSA63J-181X	MG RESISTOR		
	R 528	NRSA63J-181X	MG RESISTOR		
	R 529	NRSA63J-181X	MG RESISTOR		
	R 530	NRSA63J-181X	MG RESISTOR		
	R 531	NRSA63J-330X	MG RESISTOR		
	R 532	NRSA63J-0R0X	MG RESISTOR		
	R 533	NRSA63J-330X	MG RESISTOR		
	R 534	NRSA63J-330X	MG RESISTOR		
	R 535	NRSA63J-330X	MG RESISTOR		
	R 536	NRSA63J-330X	MG RESISTOR		
	R 537	NRSA63J-330X	MG RESISTOR		
	R 538	NRSA63J-330X	MG RESISTOR		
	R 539	NRSA63J-330X	MG RESISTOR		
	R 540	NRSA63J-330X	MG RESISTOR		
	R 541	NRSA63J-0R0X	MG RESISTOR		
	R 542	NRSA63J-0R0X	MG RESISTOR		
	R 543	NRSA63J-0R0X	MG RESISTOR		
	R 544	NRSA63J-0R0X	MG RESISTOR		
	R 545	NRSA63J-472X	MG RESISTOR		
	R 546	NRSA63J-332X	MG RESISTOR		
	R 547	NRSA63J-222X	MG RESISTOR		
	R 548	NRSA63J-332X	MG RESISTOR		
	R 550	NRSA63J-0R0X	MG RESISTOR		*2,A
	R 564	NRVA63D-152X	MG RESISTOR		
	R 565	NRVA63D-332X	MF RESISTOR		
	R 571	NRSA63J-100X	MG RESISTOR		

△	Item	Parts number	Parts name	Remarks	Area
	R 572	NRSA63J-181X	MG RESISTOR		
	R 573	NRSA63J-181X	MG RESISTOR		
	R 574	NRSA63J-181X	MG RESISTOR		
	R 575	NRSA63J-181X	MG RESISTOR		
	R 576	NRSA63J-181X	MG RESISTOR		
	R 577	NRSA63J-181X	MG RESISTOR		
	R 578	NRSA63J-181X	MG RESISTOR		
	R 579	NRSA63J-181X	MG RESISTOR		
	R 580	NRSA63J-181X	MG RESISTOR		
	R 581	NRSA63J-101X	MG RESISTOR		
	R 582	NRSA63J-0R0X	MG RESISTOR		
	R 586	NRVA63D-122X	MG RESISTOR		
	R 587	NRVA63D-122X	MG RESISTOR		
	R 588	NRVA63D-102X	CMF RESISTOR		
	R 589	NRVA63D-102X	CMF RESISTOR		
	R 591	NRSA63J-471X	MG RESISTOR		*1
	R 592	NRSA63J-471X	MG RESISTOR		*1
	X 371	NAX0277-002X	CRYSTAL		
	X 401	NAX0331-001X	C RESONATOR		

*1:3U,4U,UF,US *2:B,EG,EN,ES

■ Electrical parts list (KARAOKE board : XV-M567GD) Block No. 06

△	Item	Parts number	Parts name	Remarks	Area
	C 851	OCBB1HK-331Y	C CAPACITOR	330PF 10% 50V	*1
	C 852	OCBB1HK-331Y	C CAPACITOR	330PF 10% 50V	*1
	C 853	QETN1HM-105Z	E CAPACITOR	1.0MF 20% 50V	*1
	C 854	QETN1HM-105Z	E CAPACITOR	1.0MF 20% 50V	*1
	C 855	OCBB1HK-561Y	C CAPACITOR	560PF 10% 50V	*1
	C 856	OCBB1HK-561Y	C CAPACITOR	560PF 10% 50V	*1
	C 857	QCS11HJ-220	C CAPACITOR	22PF 5% 50V	*1
	C 858	QCS11HJ-220	C CAPACITOR	22PF 5% 50V	*1
	C 859	QETN1HM-474Z	E CAPACITOR	.47MF 20% 50V	*1
	C 860	QETN1HM-474Z	E CAPACITOR	.47MF 20% 50V	*1
	C 861	QFLM1HJ-104Z	M CAPACITOR	.10MF 5% 50V	*1
	C 862	QFLM1HJ-104Z	M CAPACITOR	.10MF 5% 50V	*1
	C 863	QETN1CM-107Z	E CAPACITOR	100MF 20% 16V	*1
	C 864	QETN1CM-107Z	E CAPACITOR	100MF 20% 16V	*1
	C 865	QDX31EM-473Z	C.CAPACITOR		*1
	C 871	QEK1HM-105Z	E.CAPACITOR	1.0MF 20% 50V	*1
	C 872	OCBB1HK-101Y	C CAPACITOR	100PF 10% 50V	*1
	C 873	OCBB1HK-820Y	C CAPACITOR	82PF 10% 50V	*1
	C 875	QFLM1HJ-473Z	M CAPACITOR	.047MF 5% 50V	*1
	C 876	QFLM1HJ-473Z	M CAPACITOR	.047MF 5% 50V	*1
	C 877	QEK1CM-107Z	E.CAPACITOR	100MF 20% 16V	*1
	C 878	QEK1CM-107Z	E.CAPACITOR	100MF 20% 16V	*1
	FW851	QUM105-13Z4Z4	PARA RIBON WIRE	TO FW871	3U
	FW851	QUM135-13Z4Z4	PARA RIBON WIRE	TO FW871	4U,US
	FW851	QUM155-13Z4Z4	PARA RIBON WIRE	TO FW871	UF
	FW872	QUM104-22DGZ4	PARA RIBON WIRE	TO CN981	3U
	FW872	QUM134-22DGZ4	PARA RIBON WIRE	TO CN981	4U,US
	FW872	QUM154-22DGZ4	PARA RIBON WIRE	TO CN981	UF
	FW881	QUM103-22DGZ4	PARA RIBON WIRE	TO CN712	3U
	FW881	QUM133-22DGZ4	PARA RIBON WIRE	TO CN712	4U,US
	FW881	QUM153-22DGZ4	PARA RIBON WIRE	TO CN712	UF
	IC851	NJM4580L	IC		*1
	IC871	NJM4580L	IC		*1
	J 851	ONS0156-001	6.3 JACK	MIC1	*1
	J 852	ONS0157-001	6.3 JACK	MIC2	*1
	R 851	QRE141J-473Y	C RESISTOR	47K 5% 1/4W	*1
	R 852	QRE141J-473Y	C RESISTOR	47K 5% 1/4W	*1
	R 853	QRE141J-103Y	C RESISTOR	10K 5% 1/4W	*1
	R 854	QRE141J-103Y	C RESISTOR	10K 5% 1/4W	*1
	R 855	QRE141J-102Y	C RESISTOR	1.0K 5% 1/4W	*1
	R 856	QRE141J-102Y	C RESISTOR	1.0K 5% 1/4W	*1
	R 857	QRE141J-182Y	C RESISTOR	1.8K 5% 1/4W	*1
	R 858	QRE141J-182Y	C RESISTOR	1.8K 5% 1/4W	*1
	R 859	QRE141J-223Y	C RESISTOR	22K 5% 1/4W	*1
	R 860	QRE141J-223Y	C RESISTOR	22K 5% 1/4W	*1
	R 861	QRE141J-221Y	C RESISTOR	220 5% 1/4W	*1
	R 862	QRE141J-221Y	C RESISTOR	220 5% 1/4W	*1
	R 871	QRE141J-471Y	C RESISTOR	470 5% 1/4W	*1
	R 872	QRE141J-471Y	C RESISTOR	470 5% 1/4W	*1
	R 873	QRE141J-682Y	C RESISTOR	6.8K 5% 1/4W	*1
	R 874	QRE141J-682Y	C RESISTOR	6.8K 5% 1/4W	*1
	R 875	QRE141J-563Y	C RESISTOR	56K 5% 1/4W	*1
	R 877	QRE141J-221Y	C RESISTOR	220 5% 1/4W	*1
	R 878	QRE141J-221Y	C RESISTOR	220 5% 1/4W	*1
	R 881	QRE141J-431Y	C RESISTOR	430 5% 1/4W	*1
	R 882	QRE141J-681Y	C RESISTOR	680 5% 1/4W	*1
	R 883	QRE141J-112Y	C RESISTOR	1.1K 5% 1/4W	*1
	R 884	QRE141J-222Y	C RESISTOR	2.2K 5% 1/4W	*1
	R 886	QRE141J-431Y	C RESISTOR	430 5% 1/4W	*1
	R 887	QRE141J-681Y	C RESISTOR	680 5% 1/4W	*1
	R 888	QRE141J-112Y	C RESISTOR	1.1K 5% 1/4W	*1
	R 889	QRE141J-222Y	C RESISTOR	2.2K 5% 1/4W	*1
	R 890	QRE141J-682Y	C RESISTOR	6.8K 5% 1/4W	*1
	S 881	QSW0683-001Z	PUSH SW I.M		*1

△	Item	Parts number	Parts name	Remarks	Area
	S 882	QSW0683-001Z	PUSH SW I.M		*1
	S 883	QSW0683-001Z	PUSH SW I.M		*1
	S 884	QSW0683-001Z	PUSH SW I.M		*1
	S 885	QSW0683-001Z	PUSH SW I.M		*1
	S 886	QSW0683-001Z	PUSH SW I.M		*1
	S 887	QSW0683-001Z	PUSH SW I.M		*1
	S 888	QSW0683-001Z	PUSH SW I.M		*1
	S 889	QSW0683-001Z	PUSH SW I.M		*1
	S 890	QSW0683-001Z	PUSH SW I.M		*1
	S 891	QSW0683-001Z	PUSH SW I.M		*1
	VR871	QVQ0006-B14	SEMI.V.RESISTOR		*1
	VR872	QVQ0006-B14	SEMI.V.RESISTOR		*1

*1:3U,4U,UF,US *2:B,EG,EN,ES

Block No. 03

■ Electrical parts list (DVD changer mechanism switch board)

△	Item	Parts number	Parts name	Remarks	Area
	CN804	QGB2016J1-07	CONNECTOR		
	SW 1	QSW0507-001	SWITCH		
	SW 2	QSW0507-001	SWITCH		
	SW 3	QSW0507-001	SWITCH		
	SW 4	QSW0507-001	SWITCH		
	SW 5	QSW0507-001	SWITCH		
	SW 6	QSW0507-001	SWITCH		

Block No. 04

■ Electrical parts list (Mechanism control board)

△	Item	Parts number	Parts name	Remarks	Area
	C 801	QEK41AM-107Z	E CAPACITOR	100MF 20% 10V	
	C 802	QEK41EM-475	E CAPACITOR	4.7MF 20% 25V	
	C 803	QFLC1HJ-102Z	M CAPACITOR	1000PF 5% 50V	
	C 804	QCFB1HZ-104Y	C CAPACITOR	.10MF +80:-20%	
	C 805	QDYB1CM-103Y	C CAPACITOR		
	C 806	QEK41CM-476	E CAPACITOR	47MF 20% 16V	
	C 807	QEK41CM-476	E CAPACITOR	47MF 20% 16V	
	C 808	QFLC1HJ-102Z	M CAPACITOR	1000PF 5% 50V	
	C 810	QCZ0205-155Z	ML C CAP I/M	1.5MF	
	C 811	QCZ0205-155Z	ML C CAP I/M	1.5MF	
	C 813	QDYB1CM-103Y	C CAPACITOR		
	C 821	QDGB1HK-102Y	C CAPACITOR		
	CN801	QGF1205F1-10	CONNECTOR	TO MICON	
	CN802	QGB2016K1-07	CONNECTOR	TO SWITCH PWB	
	CN803	QGB2012K2-10	CONNECTOR	TO CAM SW PWB	
	IC801	UPD65612GB-208	IC		
△	IC802	TA8409S	IC		
△	IC803	TA8409S	IC		
	L 801	QQL231K-100Y	INDUCTOR		
	L 802	QQL01BK-100Z	INDUCTOR		
	L 803	QQL01BK-100Z	INDUCTOR		
	L 804	QQL01BK-100Z	INDUCTOR		
	R 805	QRE141J-102Y	C RESISTOR	1.0K 5% 1/4W	
	R 806	QRE141J-471Y	C RESISTOR	470 5% 1/4W	
	R 807	QRE141J-471Y	C RESISTOR	470 5% 1/4W	
	R 808	QRE141J-102Y	C RESISTOR	1.0K 5% 1/4W	
	R 810	QRE141J-684Y	C RESISTOR	680K 5% 1/4W	
	R 811	QRE141J-105Y	C RESISTOR	1.0M 5% 1/4W	
	R 813	QRE141J-102Y	C RESISTOR	1.0K 5% 1/4W	
	R 814	QRE141J-102Y	C RESISTOR	1.0K 5% 1/4W	
	R 815	QRE141J-102Y	C RESISTOR	1.0K 5% 1/4W	
	R 816	QRE141J-102Y	C RESISTOR	1.0K 5% 1/4W	
	R 817	QRE141J-102Y	C RESISTOR	1.0K 5% 1/4W	
	R 818	QRE141J-102Y	C RESISTOR	1.0K 5% 1/4W	
	R 819	QRE141J-102Y	C RESISTOR	1.0K 5% 1/4W	
	R 820	QRE141J-102Y	C RESISTOR	1.0K 5% 1/4W	
	R 821	QRE141J-102Y	C RESISTOR	1.0K 5% 1/4W	
	R 822	QRE141J-102Y	C RESISTOR	1.0K 5% 1/4W	
	R 823	QRE141J-102Y	C RESISTOR	1.0K 5% 1/4W	
	R 824	QRE141J-102Y	C RESISTOR	1.0K 5% 1/4W	
	R 825	QRE141J-102Y	C RESISTOR	1.0K 5% 1/4W	
	R 826	QRE141J-102Y	C RESISTOR	1.0K 5% 1/4W	
	R 827	QRE141J-102Y	C RESISTOR	1.0K 5% 1/4W	
	R 828	QRE141J-102Y	C RESISTOR	1.0K 5% 1/4W	
	R 829	QRE141J-102Y	C RESISTOR	1.0K 5% 1/4W	
	R 830	QRE141J-102Y	C RESISTOR	1.0K 5% 1/4W	
	R 832	QRE141J-181Y	C RESISTOR	180 5% 1/4W	
	R 833	QRE141J-102Y	C RESISTOR	1.0K 5% 1/4W	
	R 834	QRE141J-102Y	C RESISTOR	1.0K 5% 1/4W	
	R 838	QRE141J-272Y	C RESISTOR	2.7K 5% 1/4W	
	R 839	QRE141J-332Y	C RESISTOR	3.3K 5% 1/4W	
	R 840	QRE141J-562Y	C RESISTOR	5.6K 5% 1/4W	

■ Electrical parts list (Conection board) Block No. 05

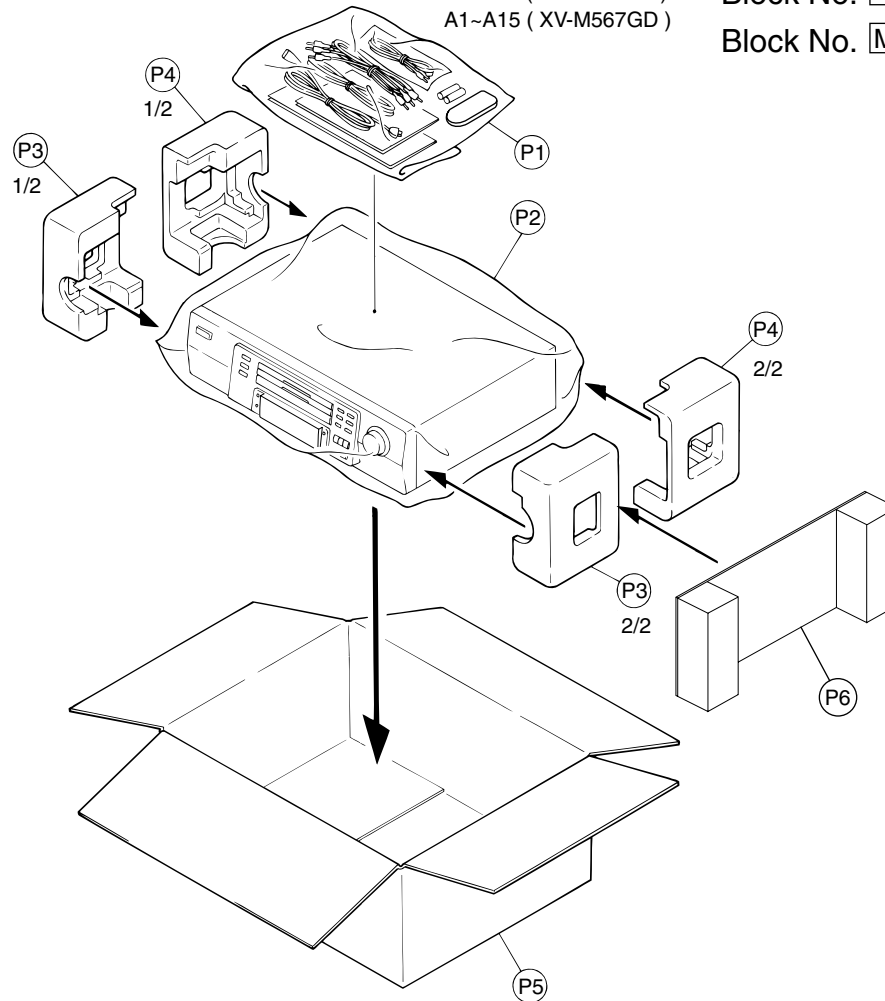
△	Item	Parts number	Parts name	Remarks	Area
	C 13	NCS21HJ-101X	C CAPACITOR		
	C 14	NCS21HJ-101X	C CAPACITOR		
	CN 10	QGF1030F1-19	FFC/FPC CONNE		
	CN 11	QGF1016F3-11	CONNECTOR		
	CN 12	QGF1030F1-21	FFC/FPC CONNE		
	CN 13	QGF1030F1-07	FFC/FPC CONNE		
	CN 14	VMC0159-002	SHORT CONNECTOR		
	CN 24	VMC0160-001	SHORT SOCKET	FOR CN14	
	K 10	NQR0007-002X	F.BEADS C.M		
	K 11	NQR0007-002X	F.BEADS C.M		
	K 12	NQR0007-002X	F.BEADS C.M		
	K 13	NQR0007-002X	F.BEADS C.M		
	K 14	NQR0007-002X	F.BEADS C.M		
	K 15	NQR0007-002X	F.BEADS C.M		
	K 16	NQR0007-002X	F.BEADS C.M		
	K 17	NQR0007-002X	F.BEADS C.M		
	R 10	NRSA02J-911X	MG RESISTOR		
	S 10	QSW0620-001	SWITCH		

Packing materials and accessories parts list

A1~A14 (XV-M565BK)
 A1~A15 (XV-M567GD)

Block No. **M 4 M M**

Block No. **M 5 M M**



■ Packing list (XV-M565BK)

Block No. **M4MM**

Item	Parts number	Parts name	Q'ty	Description	Area
P 1	QPA02503505P	POLY BAG	1	ACCESSORY A	
P 2	QPC06506515P	POLY BAG	1	FOR SET	
P 3	LV20509-201A	CUSHION (F)	1	FRONT	1U,EG,EN,ES
	LV20482-001A	CUSHION (F)	1	FRONT	UF
P 4	LV20510-201A	CUSHION (R)	1	REAR	1U,EG,EN,ES
	LV20483-001A	CUSHION (R)	1	REAR	UF
P 5	LV20822-017A	CARTON BOX	1		1U
	LV20822-018A	CARTON BOX	1		EG,EN,ES
	LV20822-007A	CARTON BOX	1		UF

■ Accessories list (XV-M565BK)

Block No. M5MM

△	Item	Parts number	Parts name	Q'ty	Description	Area
	A 1	LVT0521-019A	INST BOOK	1		1U
		LVT0521-005A	INST BOOK	1		EG,EN
		LVT0521-007A	INST BOOK	1		EG
		LVT0521-006A	INST BOOK	1		EG
		LVT0521-010A	INST BOOK	1		EN
		LVT0521-012A	INST BOOK	1		EN
		LVT0521-011A	INST BOOK	1		EN
		LVT0521-008A	INST BOOK	1		ES
		LVT0521-009A	INST BOOK	1		ES
		LVT0521-014A	INST BOOK	1		UF
	A 2	BT-51020-2	J=REGIST CARD	1		1U
	A 3	YU20333	SAFETY INST.	1		1U
△	A 4	QMP39F0-183E	POWER CORD	1		1U,EG,EN,ES
△		QMPS020-183-JC	POWER CORD	1		UF
	A 5	BT-54008-2	WARRANTY CARD	1		EG,EN,ES
		BT-59007-2	WARRANTY CARD	1		UF
	A 6	EWP805-014	1P PLUG CORD	1		
	A 7	QAM0004-002	S-VIDEO CORD	1		
	A 8	QAM0218-001	A/V CABLE	1		
	A 9	RM-SXVM565J	REMOCON UNIT	1		1U
		RM-SXVM565E	REMOCON UNIT	1		EG,EN,ES
		RM-SXVM565U	REMOCON UNIT	1		UF
	A 10	-----	BATTERY	2		
	A 11	BT-59009-1	SVC CENTER LIST	1		UF
	A 14	QAM0112-001	AC PLUG ADAPTER	1		1U

■ Packing list (XV-M567GD)

Block No. M4MM

△	Item	Parts number	Parts name	Q'ty	Description	Area
	P 1	QPA02503505P	POLY BAG	1	ACCESSORY A	
	P 2	QPC06506515P	POLY BAG	1	FOR SET	
	P 3	LV20509-001A	CUSHION (F)	1	FRONT	3U
		LV20509-201A	CUSHION (F)	1	FRONT	*2,4U,A,US
		LV20482-001A	CUSHION (F)	1	FRONT	UF
	P 4	LV20510-001A	CUSHION (R)	1	REAR	3U
		LV20510-201A	CUSHION (R)	1	REAR	*2,4U,A,US
		LV20483-001A	CUSHION (R)	1	REAR	UF
	P 5	LV20822-025A	CARTON BOX	1		3U,US
		LV20822-026A	CARTON BOX	1		4U
		LV20822-021A	CARTON BOX	1		A
		LV20822-023A	CARTON BOX	1		B
		LV20822-022A	CARTON BOX	1		EG,EN,ES
		LV20822-015A	CARTON BOX	1		UF
	P 6	LV31291-003A	PACKING SHEET	1		B

*1:3U,4U,UF,US *2:B,EG,EN,ES

■ Accessories list (XV-M567GD)

Block No. M5MM

△	Item	Parts number	Parts name	Q'ty	Description	Area
	A 1	LVT0521-014A	INST BOOK	1		3U
		LVT0521-013A	INST BOOK	1		3U,4U
		LVT0521-017A	INST BOOK	1		4U
		LVT0521-018A	INST BOOK	1		4U
		LVT0521-003A	INST BOOK	1		A
		LVT0521-004A	INST BOOK	1		B
		LVT0521-006A	INST BOOK	1		EG
		LVT0521-005A	INST BOOK	1		EG
		LVT0521-007A	INST BOOK	1		EG
		LVT0521-011A	INST BOOK	1		EN
		LVT0521-012A	INST BOOK	1		EN
		LVT0521-005A	INST BOOK	1		EN
		LVT0521-010A	INST BOOK	1		EN
		LVT0521-009A	INST BOOK	1		ES
		LVT0521-008A	INST BOOK	1		ES
		LVT0521-014A	INST BOOK	1		UF,US
		LVT0521-013A	INST BOOK	1		US
△	A 4	QMP39F0-183E	POWER CORD	1		3U,4U,EG,EN,ES,US
△		QMP25D0-183	POWER CORD	1		A
△		QMPP060-183-JD	POWER CORD	1		B
△		QMPS020-183-JC	POWER CORD	1		UF
	A 5	BT-56001-2	WARRANTY CARD	1		A
		BT-54008-2	WARRANTY CARD	1		*2
		BT-59007-2	WARRANTY CARD	1		UF
	A 6	EWP805-014	1P PLUG CORD	1		
	A 7	QAM0004-002	S-VIDEO CORD	1		
	A 8	QAM0218-001	AV CABLE	1		
	A 9	RM-SXVM567U	REMOCON UNIT	1		*1
		RM-SXVM567E	REMOCON UNIT	1		*2,A
	A 10	-----	BATTERY	2		
	A 11	BT-56002-2	SVC CENTER LIST	1		A
		BT-59009-1	SVC CENTER LIST	1		UF
	A 12	VNA3000-202	REGIST.CARD	1		B
	A 13	QPC02503510P	POLY BAG	1		B
	A 14	QAM0112-001	AC PLUG ADAPTER	1		3U,4U,US

*1:3U,4U,UF,US *2:B,EG,EN,ES